



Distributor of Molex Connector Corporation: Excellent Integrated System Limited
Datasheet of 15-44-4526 - Connector Receptacle 52 Position 0.100" (2.54mm) Gold Through Hole

Contact us: sales@integrated-circuit.com Website: www.integrated-circuit.com

Excellent Integrated System Limited

Stocking Distributor

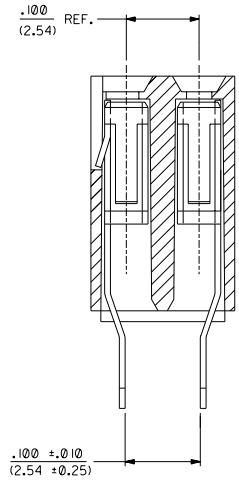
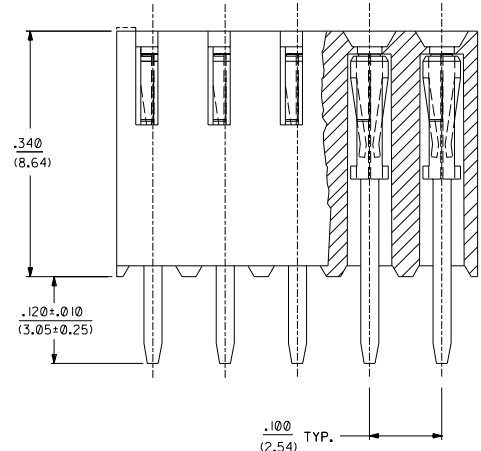
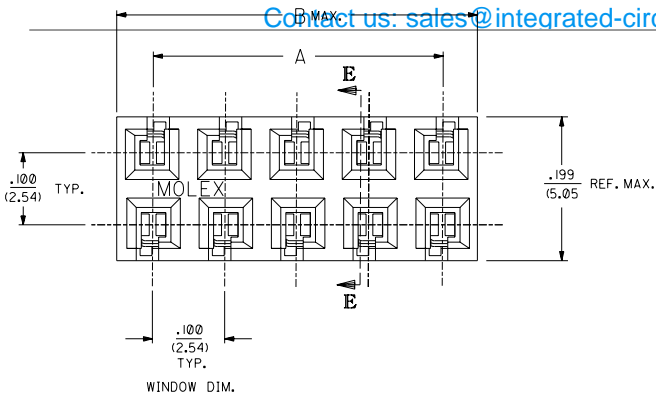
Click to view price, real time Inventory, Delivery & Lifecycle Information:

[Molex Connector Corporation](#)
[15-44-4526](#)

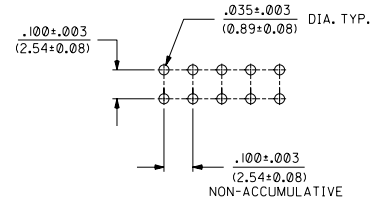
For any questions, you can email us directly:
sales@integrated-circuit.com

Contact us: sales@integrated-circuit.com Website: www.integrated-circuit.com

13 12 11 10 9 8 7 6 5 4 3 2 1



- NOTES:
1 - HOUSING MATERIAL: GLASS FILLED POLYESTER, UL 94V-0, COLOR: BLACK
2 - TERMINAL MATERIAL: PHOSPHOR BRONZE
3 - SEE ADDITIONAL SHEETS FOR CHARTS, PLATINGS, AND OVERALL DIMENSIONS
4 - THIS PRODUCT CONFORMS TO PS-70181.



RECOMMENDED P.C. BOARD HOLE LAYOUT
SCALE = 4:1

SECTION E-E

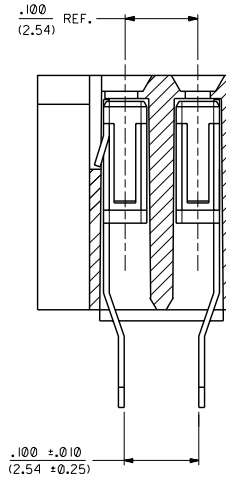
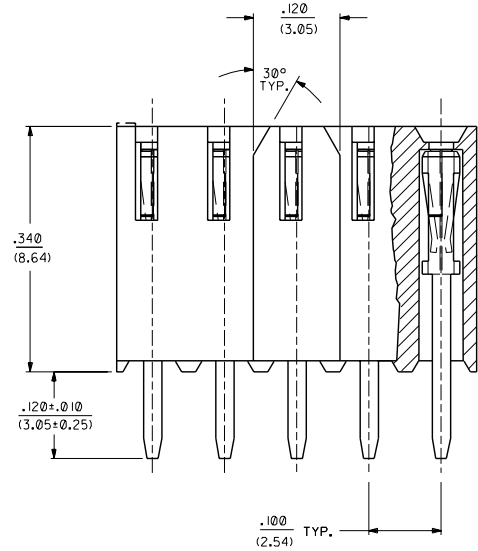
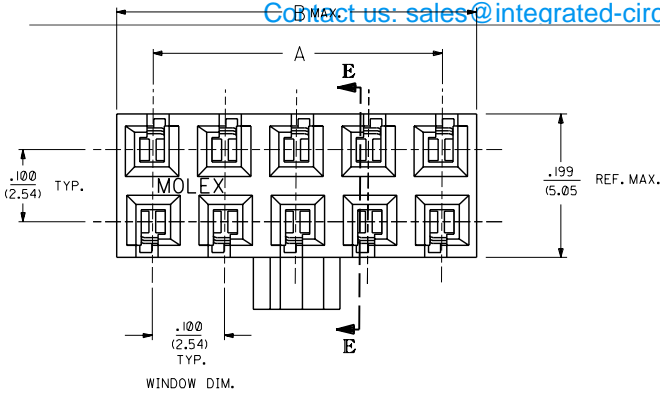
C	LEAD FREE LCP2004-1770 RWWHITE 04/04/28
B	CHANGE PACK SPEC ECN# J012000-0503 DMORGAN 99/12/09
3	C
2	A
1	A

DIMENSIONS SHOWN (METRIC) INCH UNLESS OTHERWISE SPECIFIED TOLERANCES: ANGULAR ± 1/2°		MFG. SH. REV. LTR. REVISIONS	
± PLAC ± .010 ---	INCH	REVISIONS	REVISIONS
± PLAC ± .014 ± 0.25	METRIC		
± PLAC --- ± 0.35			
DRAFT ANGLE DIMENSIONS MUST REMAIN WITHIN DIMENSIONS		MFG. SH. REV. LTR. REVISIONS	
DRAWN: PM		DATE: 09/10/93	
CHKD: BT		SHEET NO. 1 OF 3	
APP'D: PM		SCALE: 10:1	
FILE NAME: S470192X1.DWG		PART NO. SDA-70192-***	
THIS DRAWING CONTAINS INFORMATION THAT IS PROPRIETARY TO MOLEX INC. AND SHOULD NOT BE USED WITHOUT WRITTEN PERMISSION, DA		TITLE: CONNECTOR VERT MOUNT DUAL ROW (TOP ENTRY) .100 X .10 P.C TAIL GRID	

13 12 11 10 9 8 7 6 5 4 3 2 1

Contact us: sales@integrated-circuit.com Website: www.integrated-circuit.com

NOTES:
1 - SEE SHEET 1 FOR APPLICABLE NOTES.



SECTION E-E

SINGAPORE ONLY
OPTION -F-
 WITH POLARIZING KEY

DIMENSIONS SHOWN IN METRIC INCH		UNLESS OTHERWISE SPECIFIED		TOLERANCES ANGULAR ± 1/2°	
3 PLACE ±	INCH	3	METRIC		
2 PLACE ±		3			
1 PLACE ±		3			
DRAWING DIMENSIONS WITH DECIMALS MUST REMAIN WITHIN DIMENSIONS					
DRWG. BY: PM	CHK'D. BY: PM	SCALE: 1:1	FILE NAME: SA70192X2.DWG	DATE: 07/17/90	STATE: DA
SEE CHART			SDA-70192-****		
THIS DRAWING CONTAINS INFORMATION THAT IS PROPRIETARY TO MOLEX INC. AND SHOULD NOT BE USED WITHOUT WRITTEN PERMISSION FROM MOLEX INC.					

MFG. SH.	REV.	LTR.	REVISIONS

SEE SHEET 1

CONNECTOR, VERT. MOUNT, DUAL ROW (TOP ENTRY) .100 X .100 P.C. TAIL GRID

MOLEX INCORPORATED
 155 E. DALLAS ST. U.S.A.

SHEET NO. 2 DATE 07/17/90

DA C

