



Excellent Integrated System Limited

Stocking Distributor

Click to view price, real time Inventory, Delivery & Lifecycle Information:

[Visual Communications Company, LLC](#)
[5361M1/5](#)

For any questions, you can email us directly:

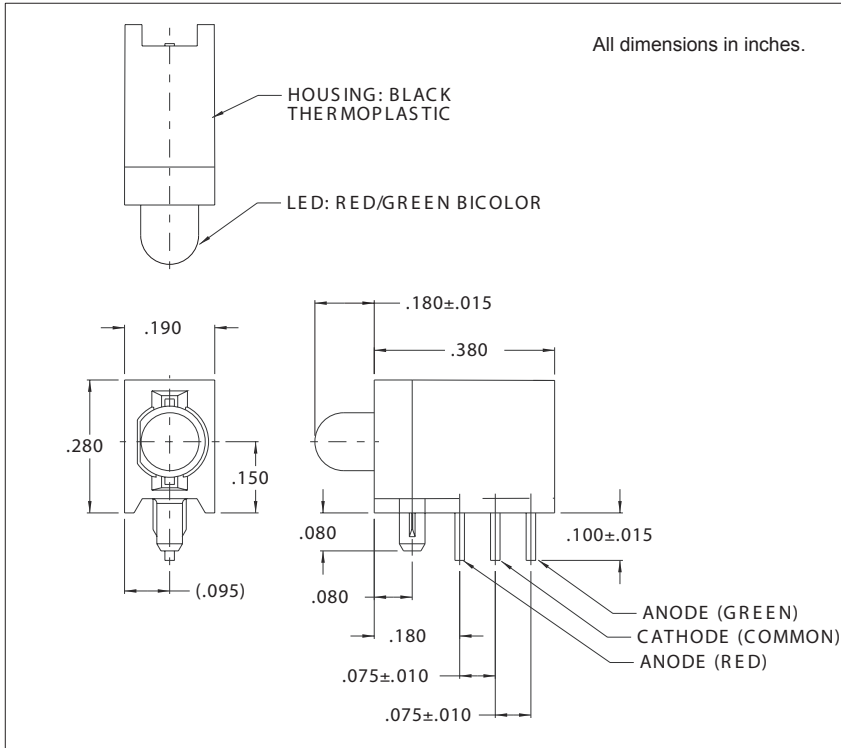
sales@integrated-circuit.com



engineered to light up your design
 www.vccite.com
 1.800.522.5546

5361 Series Tri-Color Right Angle LED Assembly

Description and Features



Features

- 3 lead, dual-chip LED with common cathode
- Lights red or green.
- Brightness-matched chips for even illumination.
- Flat lens styles.
- Provides multiple indications in a single compact package.

Electro-Optical Characteristics and Ratings

| Part Number | Color | Package Type | Package Color | Continuous Forward CurrentMax. (mA) | Forward VoltageTyp. (V) | Forward VoltageMax. (V) | Rated Current (mA) | Min.Lum. Intensity (mcd) | Typ.Lum. Intensity (mcd) |
|-------------|-------|--------------|---------------|-------------------------------------|-------------------------|-------------------------|--------------------|--------------------------|--------------------------|
| 5361M1/5 | Red | Diffused | White | 30 | 2.0 | 2.5 | 20 | 650 | 5 |
| | Green | Diffused | White | 30 | 2.1 | 2.5 | 20 | 562 | 5 |