

Excellent Integrated System Limited

Stocking Distributor

Click to view price, real time Inventory, Delivery & Lifecycle Information:

[Keystone Electronics](#)

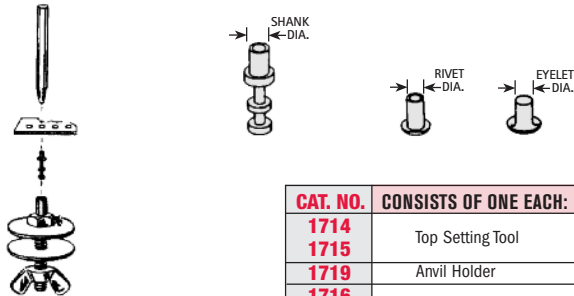
[1304](#)

For any questions, you can email us directly:

sales@integrated-circuit.com

"BASIC" STAKING KIT

This kit provides the basic components needed to stake a majority of our most popular sizes of eyelets, rivets and terminals. The unskilled operator can produce professional looking assemblies quickly and with minimal training.

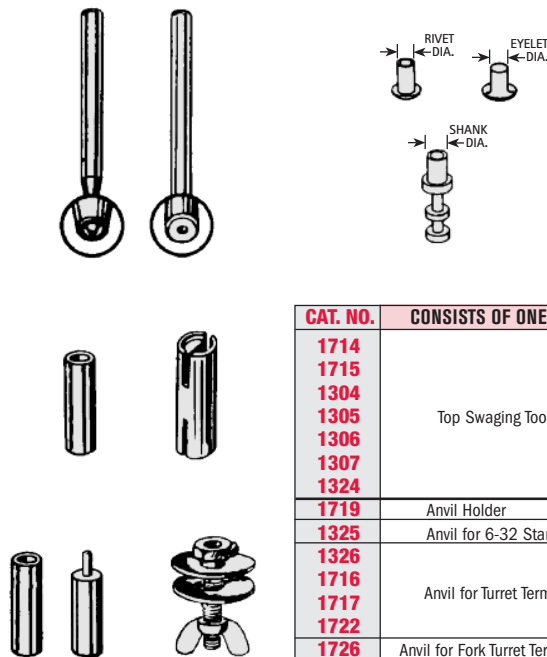


CAT. NO. 1721 COMPLETE KIT

CAT. NO.	CONSISTS OF ONE EACH:
1714	Top Setting Tool
1715	Anvil Holder
1716	Bottom Anvil
1717	

"MASTER" STAKING KIT

This kit provides all of the components needed to stake most terminals, standoffs, eyelets or rivets. This kit also includes sprung receding pins so that eyelets can be prealigned for easy assembly of components. Kit supplied in convenient plastic case for ease of use.



CAT. NO. 1713 COMPLETE KIT

CAT. NO.	CONSISTS OF ONE EACH:
1714	Top Swaging Tool
1715	
1304	
1305	
1306	
1307	
1324	
1719	Anvil Holder
1325	Anvil for 6-32 Standoffs
1326	Anvil for Turret Terminals
1716	
1717	
1722	
1726	Anvil for Fork Turret Terminals
1315	Receding Pin - .045 (1.15) Dia.
1316	Receding Pin - .069 (1.75) Dia.
1321	Return Spring for Receding Pins

"IMPACT" STAKING KIT

All that is required to stake almost all swage components. Just press down and it stakes. Tools provided allow bench top staking with out setting up arbor or drill press. Staking tool can be adjusted



CAT. NO. 1707 COMPLETE KIT

Tel (718) 956-8900 • Fax (718) 956-9040
 (800) 221-5510 • kec@keyelco.com

KEYSTONE
 RoHS COMPLIANT ~ ISO 9001 CERTIFIED

INDIVIDUAL TOOLS

TOP SETTING TOOLS (Swager)

1/4" Diameter Tools

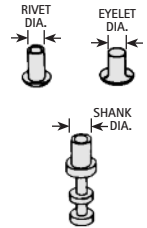
For Single End Terminals, Eyelets or Rivets

CAT. NO.	FOR SHANK DIA.
1714	.062 (1.57) to .098 (2.49)
1715	.110 (2.8) to .125 (3.2)
1328	.130 (3.3) to .140 (3.6)
1324	.180 (4.5) to .190 (4.8)

For Double End (Feed-Thru)

Hole in tool fits over Pin head and securely stakes the rivet part of terminal.

CAT. NO.	FOR PIN ON RIVET END
1304	.051 (1.30) Hole Dia.
1305	.063 (1.60) Hole Dia.
1306	.073 (1.85) Hole Dia.
1307	.086 (1.49) Hole Dia.
1324	.098 (2.49) Hole Dia.

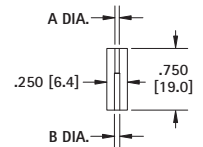


BOTTOM ANVILS

For Single End Terminals or Double End Terminals

Anvils have different size holes in each end therefore will accept 2 sizes of Pins of either Single or Double end Turret type Terminals.

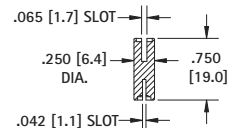
CAT. NO.	A DIA.	B DIA.
1722	.053 (1.35)	.065 (1.65)
1716	.070 (1.78)	.100 (2.54)
1717	.128 (3.25)	.152 (3.86)



ANVILS FOR FORK TERMINALS

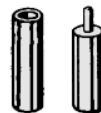


Accepts Diameter of 3/32 to 5/32 at one end and diameter of 3/16 other end .040 (1.0) slot one end and .060 (1.52) slot at other end.



CAT. NO. 1726

ANVILS FOR SWAGE SPACERS



CAT. NO.	BUSHING SIZE
1326	Holds Bushing with 5/32" O.D.
1325	For Bushing with 6-32" Thread
1309	For Bushing with 4-40 Thread

TOOL HOLDERS



Tool holders will hold all .250 (6.4) diameter anvils. May be used with receding pin and return spring to hold eyelets in place during the staking process.

CAT. NO. 1719

CAT. NO.	CONSISTS OF ONE EACH:
TOOLS	
1302	Impact Handle
1300	Anvil Tool Holder Base
SWAGING TOOLS	
1312	.040 (1.02) to .072 (1.83)
1313	.078 (1.98) to .093 (2.36)
SWAGING TOOLS FOR DOUBLE ENDED TURRET	
1310	.053 (1.35) Diameter Hole
1311	.062 (1.57) Diameter Hole
ANVIL COMPONENTS	
1716	Anvil for Turret Terminals
1717	
1722	
1726	Anvil for Fork Turret Terminals
1315	Receding Pin - .045 (1.15) Dia.
1316	Receding Pin - .069 (1.75) Dia.
1321	Return Spring for Receding Pins