

Excellent Integrated System Limited

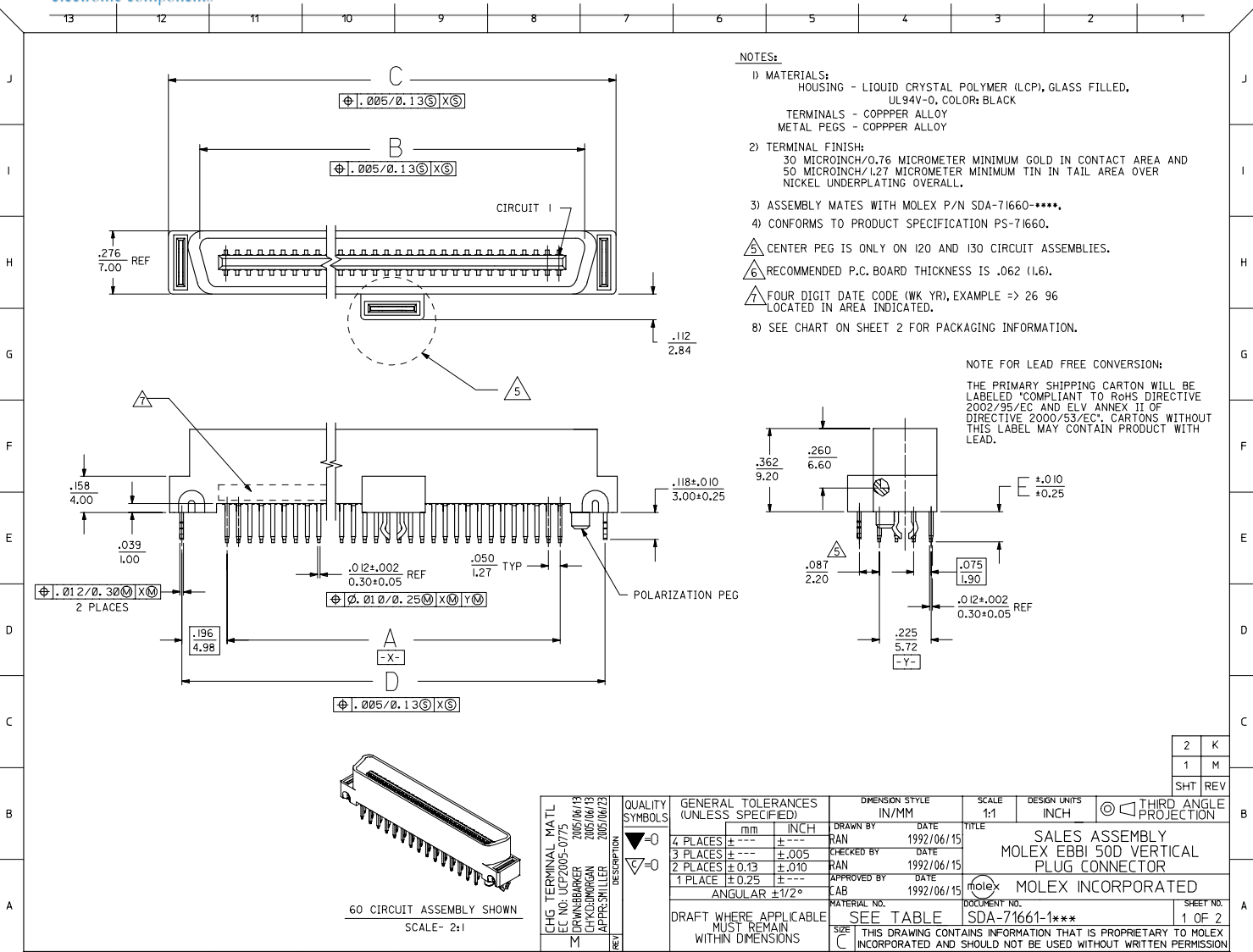
Stocking Distributor

Click to view price, real time Inventory, Delivery & Lifecycle Information:

[Molex Connector Corporation](#)
[0015922481](#)

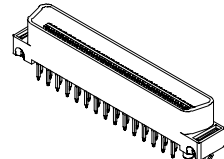
For any questions, you can email us directly:

sales@integrated-circuit.com



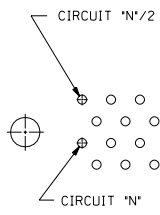
- NOTES:**
- MATERIALS:**
HOUSING - LIQUID CRYSTAL POLYMER (LCP), GLASS FILLED, UL94V-0, COLOR: BLACK
TERMINALS - COPPER ALLOY
METAL PEGS - COPPER ALLOY
 - TERMINAL FINISH:**
30 MICROINCH/0.76 MICROMETER MINIMUM GOLD IN CONTACT AREA AND 50 MICROINCH/1.27 MICROMETER MINIMUM TIN IN TAIL AREA OVER NICKEL UNDERPLATING OVERALL.
 - ASSEMBLY MATES WITH MOLEX P/N SDA-71660-****.
 - CONFORMS TO PRODUCT SPECIFICATION PS-71660.
- $\triangle 5$ CENTER PEG IS ONLY ON I20 AND I30 CIRCUIT ASSEMBLIES.
 $\triangle 6$ RECOMMENDED P.C. BOARD THICKNESS IS .062 (1.6).
 $\triangle 7$ FOUR DIGIT DATE CODE (WK YR), EXAMPLE => 26 96 LOCATED IN AREA INDICATED.
 8) SEE CHART ON SHEET 2 FOR PACKAGING INFORMATION.

NOTE FOR LEAD FREE CONVERSION:
THE PRIMARY SHIPPING CARTON WILL BE LABELED "COMPLIANT TO ROHS DIRECTIVE 2002/95/EC AND ELY ANNEX II OF DIRECTIVE 2000/53/EC". CARTONS WITHOUT THIS LABEL MAY CONTAIN PRODUCT WITH LEAD.

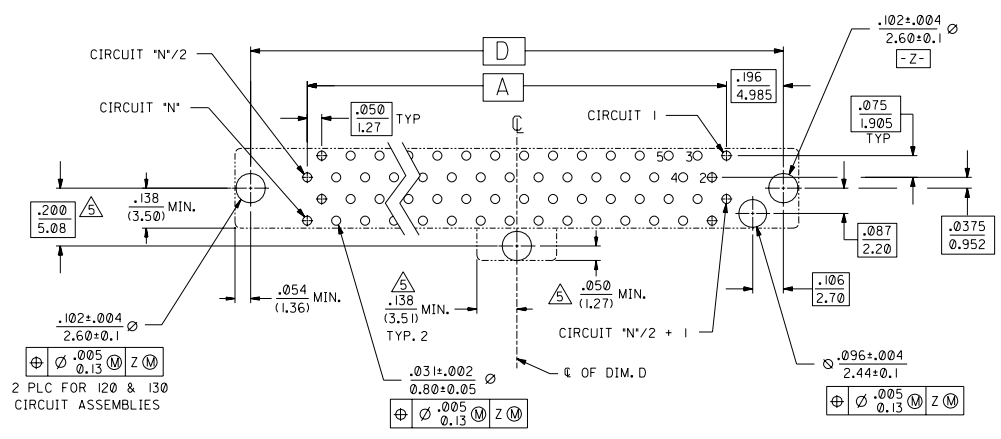


60 CIRCUIT ASSEMBLY SHOWN
SCALE- 2:1

CHG. TERMINAL MATL EC NO: UCP2005-0775 DRW: BARKER 2005/06/13 CHK: KUMAR 2005/06/13 APP: SMILLER 2005/06/13	QUALITY SYMBOLS $\nabla=0$ $\nabla=0$	GENERAL TOLERANCES (UNLESS SPECIFIED)		DIMENSION STYLE	SCALE	DESIGN UNITS	THIRD ANGLE PROJECTION
		mm	INCH	IN/MM	1:1	INCH	
REV	DESCRIPTION	4 PLACES	±.005	±.010	DRAWN BY	DATE	TITLE
		3 PLACES	±.005	±.010	RAN	1992/06/15	SALES ASSEMBLY
		2 PLACES	±0.13	±.010	CHECKED BY	DATE	MOLEX EBBI 50D VERTICAL PLUG CONNECTOR
		1 PLACE	±0.25	±.010	RAN	1992/06/15	
		ANGULAR ±1/2°		APPROVED BY	DATE		
		DRAFT WHERE APPLICABLE MUST REMAIN WITHIN DIMENSIONS		CAB	1992/06/15		MOLEX INCORPORATED
		MATERIAL NO.	DOCUMENT NO.				
		SEE TABLE	SDA-71661-1***				
		SIZE	THIS DRAWING CONTAINS INFORMATION THAT IS PROPRIETARY TO MOLEX INCORPORATED AND SHOULD NOT BE USED WITHOUT WRITTEN PERMISSION				
							SHEET NO. 1 OF 2



(FOR 30, 50, 130 CIRCUITS ONLY)



RECOMMENDED PC BOARD LAYOUT COMPONENT SIDE
(FOR 40, 60, 68, 80, 100, 120 CIRCUITS ONLY)

71661-1430	015-92-2530	130	3,200 (81.28)	3,426 (87.02)	3,699 (93.95)	3,592 (91.25)	.110 (2.79)	TRAYS PER PK-71660
71661-1420	015-92-2520	120	2,950 (74.93)	3,176 (80.67)	3,449 (87.60)	3,342 (84.90)	.110 (2.79)	TRAYS PER PK-71660
71661-1400	015-92-2500	100	2,450 (62.23)	2,676 (67.97)	2,949 (74.90)	2,842 (72.20)	.110 (2.79)	TRAYS PER PK-71660
71661-1381	015-92-2481	80	1,950 (49.53)	2,176 (55.27)	2,449 (62.20)	2,342 (59.50)	.110 (2.79)	TUBES PER PK-70873-0817
71661-1380	015-92-2480	80	1,950 (49.53)	2,176 (55.27)	2,449 (62.20)	2,342 (59.50)	.110 (2.79)	TRAYS PER PK-71660
71661-1368	015-92-2468	68	1,650 (41.91)	1,875 (47.65)	2,149 (54.58)	2,042 (51.88)	.110 (2.79)	TRAYS PER PK-71660
71661-1360	015-92-2460	60	1,450 (36.83)	1,676 (42.57)	1,949 (49.50)	1,842 (46.80)	.110 (2.79)	TRAYS PER PK-71660
71661-1350	015-92-2450	50	1,200 (30.48)	1,426 (36.22)	1,699 (43.15)	1,592 (40.45)	.110 (2.79)	TRAYS PER PK-71660
71661-1340	015-92-2440	40	.950 (24.13)	1,176 (29.87)	1,449 (36.80)	1,342 (34.10)	.110 (2.79)	TRAYS PER PK-71660
71661-1330	015-92-2430	30	.700 (17.78)	.925 (23.52)	1,199 (30.45)	1,092 (27.75)	.110 (2.79)	TRAYS PER PK-71660
71661-1130	015-92-2130	130	3,200 (81.28)	3,426 (87.02)	3,699 (93.95)	3,592 (91.25)	.134 (3.40)	TRAYS PER PK-71660
71661-1120	015-92-2120	120	2,950 (74.93)	3,176 (80.67)	3,449 (87.60)	3,342 (84.90)	.134 (3.40)	TRAYS PER PK-71660
71661-1100	015-92-2100	100	2,450 (62.23)	2,676 (67.97)	2,949 (74.90)	2,842 (72.20)	.134 (3.40)	TRAYS PER PK-71660
71661-1080	015-92-2080	80	1,950 (49.53)	2,176 (55.27)	2,449 (62.20)	2,342 (59.50)	.134 (3.40)	TRAYS PER PK-71660
71661-1068	015-92-2068	68	1,650 (41.91)	1,875 (47.65)	2,149 (54.58)	2,042 (51.88)	.134 (3.40)	TRAYS PER PK-71660
71661-1060	015-92-2060	60	1,450 (36.83)	1,676 (42.57)	1,949 (49.50)	1,842 (46.80)	.134 (3.40)	TRAYS PER PK-71660
71661-1050	015-92-2050	50	1,200 (30.48)	1,426 (36.22)	1,699 (43.15)	1,592 (40.45)	.134 (3.40)	TRAYS PER PK-71660
71661-1040	015-92-2040	40	.950 (24.13)	1,176 (29.87)	1,449 (36.80)	1,342 (34.10)	.134 (3.40)	TRAYS PER PK-71660
71661-1030	015-92-2030	30	.700 (17.78)	.925 (23.52)	1,199 (30.45)	1,092 (27.75)	.134 (3.40)	TRAYS PER PK-71660

ENGINEERING NUMBER	EDP NUMBER	CIRCUIT SIZE ("N")	A	B	C	D	E	PACKAGING
--------------------	------------	--------------------	---	---	---	---	---	-----------

DIMENSIONS SHOWN (METRIC) INCH		UNLESS OTHERWISE SPECIFIED TOLERANCES: ANGULAR ± 1/2°	
± PLATE	± .005	---	---
± PLATE	± .01	± 0.13	---
± PLATE	---	± 0.25	---
DRAWING NUMBER SHOWN MUST REMAIN WITHIN DIMENSIONS			
DRG. BY: RAN	CHKD. BY: RAN	FILE NAME: ST1661X1	DATE: 6/15/92
APP'D: CAB	SCALE: 4:1	SHEET NO. 2	

SALES ASSEMBLY MOLEX EBBI 50D VERTICAL PLUG CONNECTOR

MOLEX INCORPORATED

SEE TABLE SDA-71661-1*

K	SEE SHEET 1
J	SEE SHEET 1