

Excellent Integrated System Limited

Stocking Distributor

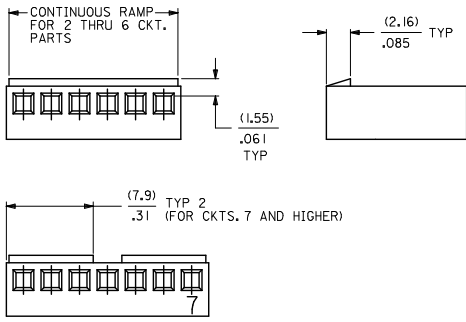
Click to view price, real time Inventory, Delivery & Lifecycle Information:

[Molex Connector Corporation](#)
[0022012131](#)

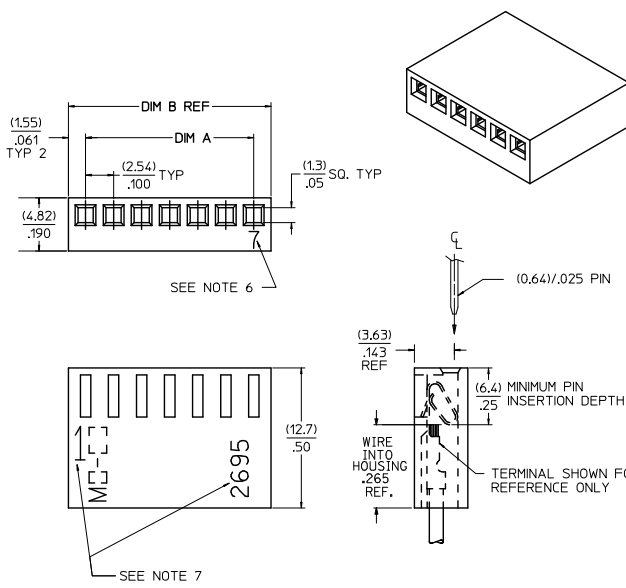
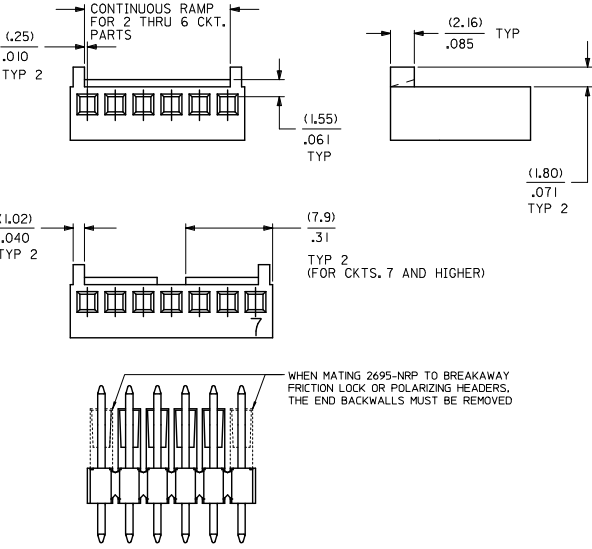
For any questions, you can email us directly:

sales@integrated-circuit.com

2695-NR



2695-NRP



2695 - N * *
VOID LOCATION
SEE CHART

NO. OF CIRCUITS	RAMP	POLARIZING RIBS	MAT'L
BLANK	NO	NO	NOTE 1A
R	YES	NO	NOTE 1A
RP	YES	YES	NOTE 1A
RP-BK	YES	YES	NOTE 1B

- NOTES:
1. MATERIAL: A - NYLON, UL94V-0, COLOR: WHITE
B - NYLON, UL94V-0, COLOR: BLACK
 2. FINISH: SEE TERMINAL DRAWING
 3. THIS HOUSING CONFORMS TO MOLEX PRODUCT SPECIFICATION PS-10-07.
 4. PACKAGING: PER PK-2695-001
 5. HOUSING TO BE USED WITH CRIMP TERMINAL SERIES 2759, 6459, AND 41572. PARTS MADE AFTER 4/19/2012 WILL ALSO ACCEPT 4809 AND 8088 SERIES TERMINALS. FOR USE WITH 22-30 GAUGE WIRE WITH (1.57)/.062 DIAMETER MAXIMUM WIRE INSULATION.
 6. LAST CIRCUIT NUMBER NOT PRESENT ON 2-6 CKT AND MAY OR MAY NOT BE PRESENT ON 7-16 CKT SIZES.
 7. CIRCUIT NUMBER *1* AND ENGINEERING NUMBER TO APPEAR ON PARTS 3 CKTS. AND HIGHER.
 8. THIS PART CONFORMS TO CLASS B REQUIREMENTS OF COSMETIC SPECIFICATION PS-45499-002.

NO. OF CKT'S.	DIM. A	DIM. B
2	(2.54±0.05)	(5.64)
	.100±0.02	.222
3	(5.08±0.05)	(8.18)
	.200±0.02	.322
4	(7.62±0.08)	(10.72)
	.300±0.03	.422
5	(10.16±0.08)	(13.26)
	.400±0.03	.522
6	(12.70±0.10)	(15.80)
	.500±0.04	.622
7	(15.24±0.10)	(18.34)
	.600±0.04	.722
8	(17.78±0.13)	(20.88)
	.700±0.05	.822
9	(20.32±0.13)	(23.42)
	.800±0.05	.922
10	(22.86±0.13)	(25.96)
	.900±0.05	1.022
11	(25.40±0.15)	(28.50)
	1.000±0.06	1.122
12	(27.94±0.15)	(31.04)
	1.100±0.06	1.222
13	(30.48±0.18)	(33.58)
	1.200±0.07	1.322
14	(33.02±0.18)	(36.12)
	1.300±0.07	1.422
15	(35.56±0.20)	(38.66)
	1.400±0.08	1.522
16	(38.10±0.20)	(41.20)
	1.500±0.08	1.622

ADD HEADER VIEW REC. NO. LUP204-427 DRAWN BY PEREZ 2011/01/01 CHECKED BY BRANSON 2011/01/02 APPROVED BY LENZ 2011/01/02 DESIGNED BY	QUALITY SYMBOLS	GENERAL TOLERANCES (UNLESS SPECIFIED)	DIMENSION STYLE	SCALE	DESIGN UNITS	THIRD ANGLE PROJECTION
	▽=0	4 PLACES ±.005	MM/IN	6:1	INCH	
	▽=0	3 PLACES ±.005				
	▽=0	2 PLACES ±0.13 ±.01				
	1 PLACE ±0.25					
	0 PLACE					
	ANGULAR ±1/2°					
	DRAFT WHERE APPLICABLE MUST REMAIN WITHIN DIMENSIONS					
			SEE CHART			

DOCUMENT NO. SD-2695

1 OF 2

THIS DRAWING CONTAINS INFORMATION THAT IS PROPRIETARY TO MOLEX INCORPORATED AND SHOULD NOT BE USED WITHOUT WRITTEN PERMISSION

13 12 11 10 9 8 7 6 5 4 3 2 1

2695-N

PART NO.	ENG NO.	VOID
22-01-2021	2695-2	
22-01-2031	2695-3	
22-01-2041	2695-4	
22-01-2051	2695-5	
22-01-2061	2695-6	
22-01-2071	2695-7	
22-01-2081	2695-8	
22-01-2091	2695-9	
22-01-2101	2695-10	
22-01-2111	2695-11	
22-01-2121	2695-12	
22-01-2131	2695-13	
22-01-2141	2695-14	
22-01-2151	2695-15	
22-01-2161	2695-16	

2695-NR

PART NO.	ENG NO.	VOID
22-01-2027	2695-2R	
22-01-2037	2695-3R	
22-01-2047	2695-4R	
22-01-2057	2695-5R	
22-01-2067	2695-6R	
22-01-2077	2695-7R	
22-01-2087	2695-8R	
22-01-2097	2695-9R	
22-01-2107	2695-10R	
22-01-2117	2695-11R	
22-01-2127	2695-12R	
22-01-2137	2695-13R	
22-01-2147	2695-14R	
22-01-2157	2695-15R	
22-01-2167	2695-16R	

2695-NRP

PART NO.	ENG NO.	VOID
22-01-3027	2695-2RP	
22-01-3037	2695-3RP	
22-01-3047	2695-4RP	
22-01-3057	2695-5RP	
22-01-3067	2695-6RP	
22-01-3077	2695-7RP	
22-01-3087	2695-8RP	
22-01-3097	2695-9RP	
22-01-3107	2695-10RP	
22-01-3117	2695-11RP	
22-01-3127	2695-12RP	
22-01-3137	2695-13RP	
22-01-3147	2695-14RP	
22-01-3157	2695-15RP	
22-01-3167	2695-16RP	

2695-NRP-BK

PART NO.	ENG NO.	VOID
50-29-1557	2695-2RP-BK	
50-29-1558	2695-3RP-BK	
50-29-1559	2695-4RP-BK	
50-29-1560	2695-5RP-BK	
50-29-1561	2695-6RP-BK	
50-29-1562	2695-7RP-BK	
50-29-1563	2695-8RP-BK	
50-29-1564	2695-9RP-BK	
50-29-1565	2695-10RP-BK	
50-29-1566	2695-11RP-BK	
50-29-1567	2695-12RP-BK	
50-29-1568	2695-13RP-BK	
50-29-1569	2695-14RP-BK	
50-29-1570	2695-15RP-BK	
50-29-1571	2695-16RP-BK	

SEE SHEET 1 EC NO: UCP2011-2220 DRAWN BY: DRANKIPPER 2/11/02/ZZ CHECKED BY: CHIKO BANIKSON 2/11/02/ZZ APPROVED BY: APPEL SMITH 2/17/04/05	QUALITY SYMBOLS ∇=0 ∇=0 ∇=0	GENERAL TOLERANCES (UNLESS SPECIFIED)		DIMENSION STYLE MM/IN		SCALE ---	DESIGN UNITS INCH	THIRD ANGLE PROJECTION	
		4 PLACES ± --- ± ---	3 PLACES ± --- ± ---	DRAWN BY PEREZ-ARGUET 1988/02/25	DATE 1988/02/25	TITLE (2.54)/100 HOUSING FOR KK CRIMP TYPE TERMINALS 2695 SERIES DRAWING			
		2 PLACES ± --- ± ---	1 PLACE ± --- ± ---	CHECKED BY PATEL 1988/02/25	DATE 1988/02/25	MOLEX INCORPORATED			
		ANGULAR ±1/2°		APPROVED BY LENZ 1988/02/25	DATE 1988/02/25	MATERIAL NO. SEE CHART	DOCUMENT NO. SD-2695	SHEET NO. 2 OF 2	
DRAFT WHERE APPLICABLE MUST REMAIN WITHIN DIMENSIONS		THIS DRAWING CONTAINS INFORMATION THAT IS PROPRIETARY TO MOLEX INCORPORATED AND SHOULD NOT BE USED WITHOUT WRITTEN PERMISSION							

12 11 10 9 8 7 6 5 4 3 2 1