

Excellent Integrated System Limited

Stocking Distributor

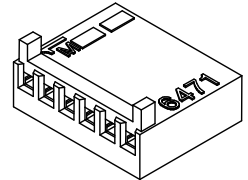
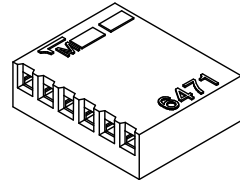
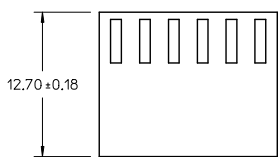
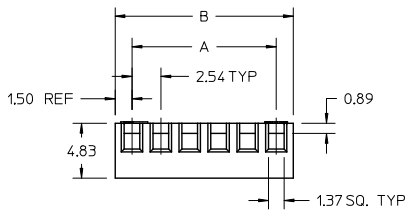
Click to view price, real time Inventory, Delivery & Lifecycle Information:

[Molex Connector Corporation](#)
[0022012145](#)

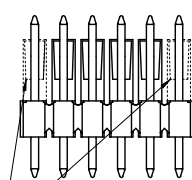
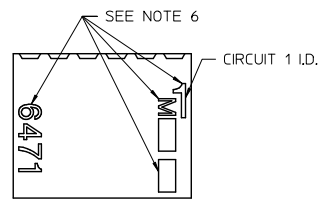
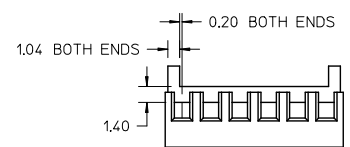
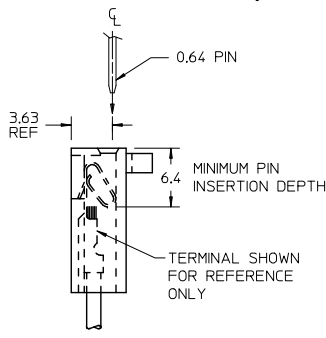
For any questions, you can email us directly:

sales@integrated-circuit.com

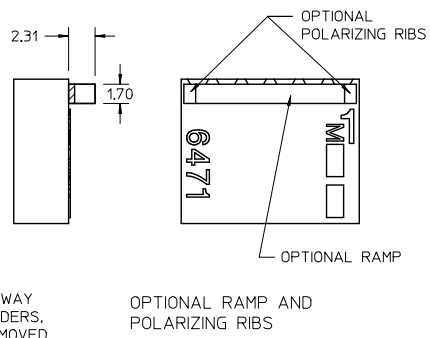
22	53.34±0.35	56.34±0.35
21	50.80±0.35	53.80±0.35
20	48.26±0.35	51.26±0.35
19	45.72±0.35	48.72±0.35
18	43.18±0.35	46.18±0.35
17	40.64±0.35	43.64±0.35
16	38.10±0.35	41.10±0.35
15	35.56±0.35	38.56±0.35
14	33.02±0.35	36.02±0.35
13	30.48±0.35	33.48±0.35
12	27.94±0.35	30.94±0.35
11	25.40±0.35	28.40±0.35
10	22.86±0.35	25.86±0.35
9	20.32±0.35	23.32±0.35
8	17.78±0.35	20.78±0.35
7	15.24±0.35	18.24±0.35
6	12.70±0.15	15.70±0.15
5	10.16±0.15	13.16±0.15
4	7.62±0.15	10.62±0.15
3	5.08±0.15	8.08±0.15
2	2.54±0.15	5.54±0.15
No. OF CCTS	DIM A	DIM B



SHOWN WITH OPTIONAL RAMP AND POLARIZATION RIBS



WHEN MATING 6471-#NI TO BREAKAWAY FRICTION LOCK OR POLARIZING HEADERS, THE END BACKWALLS MUST BE REMOVED



OPTIONAL RAMP AND POLARIZING RIBS

LEGEND

E-6471-#N*
 MATERIAL: BLANK= NATURAL
 # OF CIRCUITS
 OPTION CODE: BLANK=NO RAMP OR POLARIZATION RIB, #= RAMP AND POLARIZATION RIB

- NOTES:
- MATERIAL: "BLANK": POLYAMIDE (PA66/6), UL94V-0, COLOR: NATURAL (WHITE)
 - FINISH: N/A
 - PRODUCT SPECIFICATION: PS-99020-0088
 - PACKAGING: BULK
 - FOR USE WITH TERMINAL SERIES 2759, 41572, 4809, 6459, AND 8088.
 - TEXT MAY BE PRESENT ON EITHER SIDE OF PART.
 - THIS PART CONFORMS TO CLASS B REQUIREMENTS OF COSMETIC SPECIFICATION PS-45499-002.

ADD HEADER VIEW EC NO: UCP2014-1471 DRAWN BY: ZRNGKIPPER 2013/10/02 CHK BY: CHKO BANDERSON 2013/10/02 APPROVED BY: APPRESMITH 2013/10/09	QUALITY SYMBOLS 	GENERAL TOLERANCES (UNLESS SPECIFIED)		DIMENSION STYLE: MM ONLY		SCALE: 4:1	DESIGN UNITS: METRIC	THIRD ANGLE PROJECTION	
		4 PLACES ± --- mm ± --- INCH	3 PLACES ± --- mm ± --- INCH	DRAWN BY: SF	DATE: 2000/07/14	TITLE: KK 2.54MM CRIMP TERMINAL HOUSING			
		2 PLACES ± 0.15 mm ± --- INCH	1 PLACE ± 0.25 mm ± --- INCH	CHECKED BY: DWASZKIEWICZ	DATE: 2006/02/27	molex			
		ANGULAR ± --- °		MATERIAL NO.	DATE: 2011/10/11	DOCUMENT NO.	SHEET NO.	1 OF 2	
DRAFT WHERE APPLICABLE MUST REMAIN WITHIN DIMENSIONS		SEE CHART		THIS DRAWING CONTAINS INFORMATION THAT IS PROPRIETARY TO MOLEX INCORPORATED AND SHOULD NOT BE USED WITHOUT WRITTEN PERMISSION					

E-6471-N		
PART No.	ENG No.	No. OF CIRCUITS
22-01-2026	E-6471-2	2
↑ -2036	↑ -3	3
-2046	-4	4
-2056	-5	5
-2066	-6	6
-2076	-7	7
-2086	-8	8
-2096	-9	9
-2106	-10	10
-2116	-11	11
-2126	-12	12
-2136	-13	13
-2146	-14	14
-2156	-15	15
-2166	-16	16
-2176	-17	17
-2186	-18	18
-2196	-19	19
-2206	-20	20
↓ -2216	↓ -21	21
22-01-2226	E-6471-22	22

E-6471-NI		
PART No.	ENG No.	No. OF CIRCUITS
22-01-2025	E-6471-02I	2
↑ -2035	↑ -03I	3
-2045	-04I	4
-2055	-05I	5
-2065	-06I	6
-2075	-07I	7
-2085	-08I	8
-2095	-09I	9
-2105	-10I	10
-2115	-11I	11
-2125	-12I	12
-2135	-13I	13
-2145	-14I	14
-2155	-15I	15
-2165	-16I	16
-2175	-17I	17
-2185	-18I	18
-2195	-19I	19
-2205	-20I	20
↓ -2215	↓ -21I	21
22-01-2225	E-6471-22I	22

SEE SHEET 1 EC NO: UCPE2014-1471 DRAWN BY: 2013/10/02 CHK'D BY: CHKOBIANPERSON 2013/10/02 APPROVED BY: F-SMITH 2013/10/09	QUALITY SYMBOLS ∇=0 ∇=0 ∇=0	GENERAL TOLERANCES (UNLESS SPECIFIED)		DIMENSION STYLE MM ONLY		SCALE 1:1	DESIGN UNITS METRIC	THIRD ANGLE PROJECTION		
				mm	INCH	DRAWN BY SF	DATE 2000/07/14	TITLE KK 2.54MM CRIMP TERMINAL HOUSING		
		4 PLACES ± --- ± ---				CHECKED BY DWASZKIEWICZ	DATE 2006/02/27			
		3 PLACES ± --- ± ---				APPROVED BY F-SMITH	DATE 2011/10/11			
2 PLACES ± 0.15 ± ---				MATERIAL NO.		DOCUMENT NO.	SHEET NO.			
1 PLACE ± 0.25 ± ---				SEE CHART		SD-6471-N*-**	2 OF 2			
0 PLACE ± ±				DRAFT WHERE APPLICABLE MUST REMAIN WITHIN DIMENSIONS		THIS DRAWING CONTAINS INFORMATION THAT IS PROPRIETARY TO MOLEX INCORPORATED AND SHOULD NOT BE USED WITHOUT WRITTEN PERMISSION				