

Excellent Integrated System Limited

Stocking Distributor

Click to view price, real time Inventory, Delivery & Lifecycle Information:

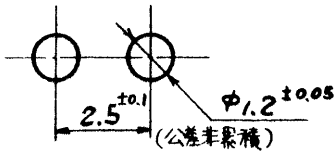
[Molex Connector Corporation](#)
[0022044035](#)

For any questions, you can email us directly:

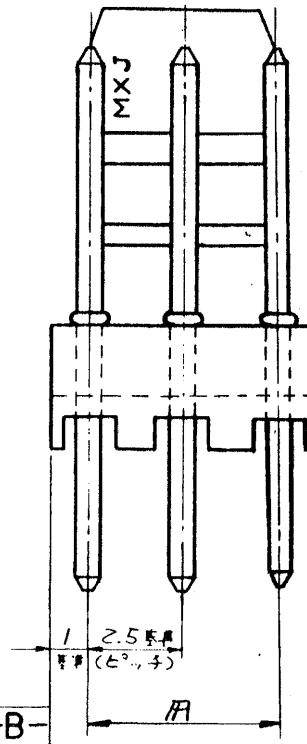
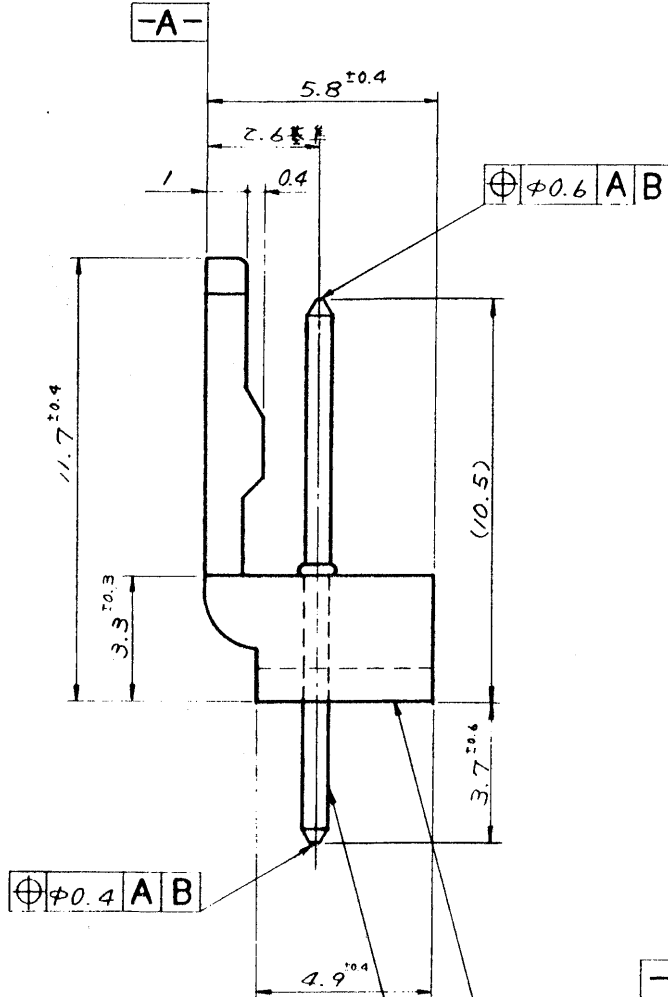
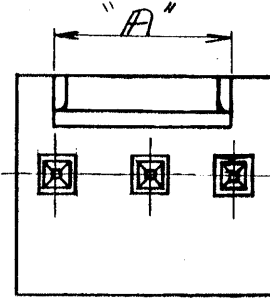
sales@integrated-circuit.com

ENG. NO. SD-5045 - NF

EDP NO. 22-04-4**5



基板取付穴推奨寸法



5045-N (NYLON66, 94V-0)

5192-01 (φ0.635x14.2 黄銅, 銅下地錫メッキ)

角度 ANGLE	± 3
30 以上 OVER	± 0.3
10 以上 30 未満 OVER UNDER	± 0.25
10 未満 UNDER	± 0.2

般公差 GENERAL TOLERANCES

3	22-04-4035	5045-03F	5.0
2	22-04-4025	5045-02F	2.5
極数	EDP NO	ENG NO	"A"

DIMENSIONS IN METRIC DO NOT SCALE DRAWING

単位: MM

材料 MATERIAL		MOLEX-JAPAN CO., LTD. 日本モレックス株式会社	
仕上 FINISH		EDP NO. 22-04-4**5	
適用電線範囲 WIRE RANGE		ENG. NO. SD-5045 - NF	
被覆外径 INS. RANGE		REV B	
REVISED BY ECN NO. 3492	DATE 7/13/81	TITLE 名称: KK. 2.5	
ADDED 3 POS. ECN NO. 2029	DATE 7/15/81	SCALE 5-1	
RELEASE PER ECN NO. 1079	DATE Jan-18-79	WAFER ASS'Y WITH LOCK	
記号 LTR	変更内容 DR.	日付 DATE	尺度 SCALE