

## Excellent Integrated System Limited

Stocking Distributor

Click to view price, real time Inventory, Delivery & Lifecycle Information:

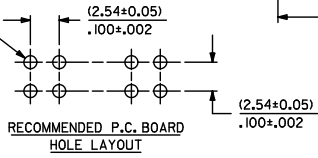
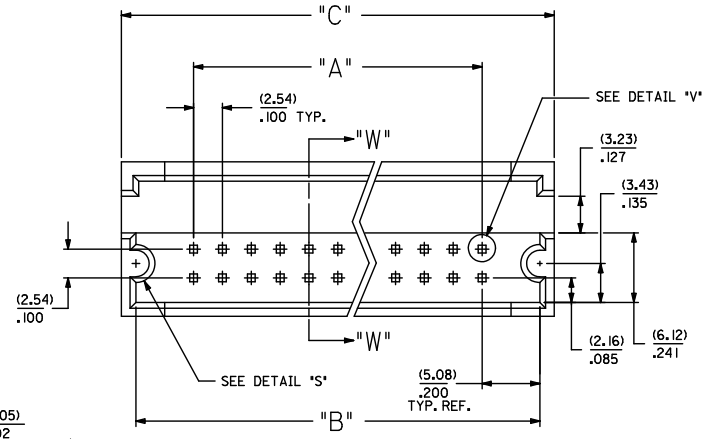
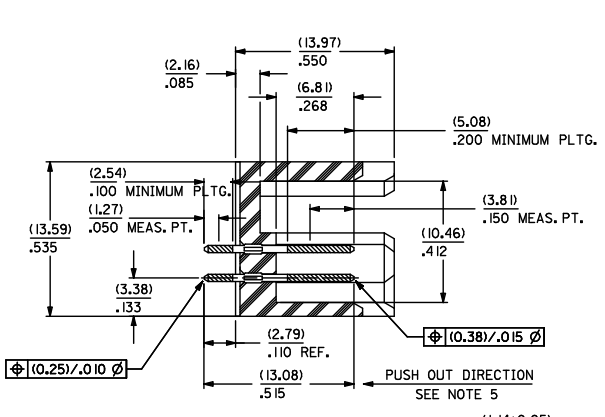
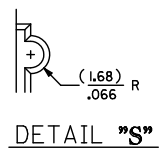
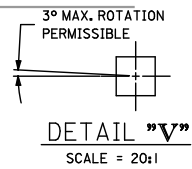
[Molex Connector Corporation](#)  
[0025021008](#)

For any questions, you can email us directly:

[sales@integrated-circuit.com](mailto:sales@integrated-circuit.com)

CKT. SIZE	PART NUMBER	ENG. NUMBER SDA-70204-	DIM. "A"		DIM. "B"		DIM. "C"	
			MM	IN.	MM	IN.	MM	IN.
08	25-02-1008	0323	7,62	.300	17,78	.700	20,32	.800
10	25-02-1010	0324	10,16	.400	20,32	.800	22,86	.900
12	25-02-1012	0325	12,70	.500	22,86	.900	25,40	1,000
14	25-02-1014	0326	15,24	.600	25,40	1,000	27,94	1,100
16	25-02-1016	0327	17,78	.700	27,94	1,100	30,48	1,200
18	25-02-1018	0328	20,32	.800	30,48	1,200	33,02	1,300
20	25-02-1020	0329	22,86	.900	33,02	1,300	35,56	1,400
22	25-02-1022	0330	25,40	1,000	35,56	1,400	38,10	1,500
24	25-02-1024	0331	27,94	1,100	38,10	1,500	40,64	1,600
26	25-02-1026	0332	30,48	1,200	40,64	1,600	43,10	1,700
28	25-02-1028	0333	33,02	1,300	43,10	1,700	45,72	1,800
30	25-02-1030	0334	35,56	1,400	45,72	1,800	48,26	1,900
32	25-02-1032	0335	38,10	1,500	48,26	1,900	50,80	2,000
34	25-02-1034	0336	40,64	1,600	50,80	2,000	53,34	2,100
36	25-02-1036	0337	43,10	1,700	53,34	2,100	55,88	2,200
38	25-02-1038	0338	45,72	1,800	55,88	2,200	58,42	2,300
40	25-02-1040	0339	48,26	1,900	58,42	2,300	60,96	2,400

CKT. SIZE	PART NUMBER	ENG. NUMBER SDA-70204-	DIM. "A"		DIM. "B"		DIM. "C"	
			MM	IN.	MM	IN.	MM	IN.
42	25-02-1042	0340	50,80	2,000	60,96	2,400	63,50	2,500
44	25-02-1044	0341	53,34	2,100	63,50	2,500	66,04	2,600
46	25-02-1046	0342	55,88	2,200	66,04	2,600	68,58	2,700
48	25-02-1048	0343	58,42	2,300	68,58	2,700	71,12	2,800
50	25-02-1050	0344	60,96	2,400	71,12	2,800	73,66	2,900
52	25-02-1052	0345	63,50	2,500	73,66	2,900	76,20	3,000
54	25-02-1054	0346	66,04	2,600	76,20	3,000	78,74	3,100
56	25-02-1056	0347	68,58	2,700	78,74	3,100	81,28	3,200
58	25-02-1058	0348	71,12	2,800	81,28	3,200	83,82	3,300
60	25-02-1060	0349	73,66	2,900	83,82	3,300	86,36	3,400
62	25-02-1062	0350	76,20	3,000	86,36	3,400	88,90	3,500
64	25-02-1064	0351	78,74	3,100	88,90	3,500	91,44	3,600
66	25-02-1066	0352	81,28	3,200	91,44	3,600	93,98	3,700
68	25-02-1068	0353	83,82	3,300	93,98	3,700	96,52	3,800
70	25-02-1070	0354	86,36	3,400	96,52	3,800	99,06	3,900
72	25-02-1072	0355	88,90	3,500	99,06	3,900	101,60	4,000



- NOTES:
1. WAFER MATERIAL: GLASS FILLED NYLON; COLOR: BLACK
  2. PIN MATERIAL: COPPER ALLOY
  3. PIN PLATING:
    - TIP: 30 MICROINCHES MINIMUM GOLD IN SELECTED AREA
    - TAIL: 75 MICROINCHES MINIMUM TIN IN SELECTED AREA OVER NICKEL UNDERPLATE OVER-ALL
  4. PINS MUST MEET SOLDERABILITY SPEC. NO. 152
  5. PIN PUSH-OUT FORCE (1.81 KG)/4 LBS MINIMUM
  6. REFER TO P.S. NO. 70204
  7. STANDARD PACKAGING PER: PK-70873-0070

CORRECT DIMENSION EC NO: UCP2011-3692 DRAWN BY: CHIKOJORGAN 2011/06/23 APPR: SMILLER 2011/07/07	QUALITY SYMBOLS ▽=0 ▽=0 ▽=0	GENERAL TOLERANCES (UNLESS SPECIFIED)	DIMENSION STYLE	SCALE	DESIGN UNITS	THIRD ANGLE PROJECTION
		mm INCH	MM/IN	4:1	INCH	☉
		4 PLACES ±.010 ±.010	DRAWN BY: JAS	DATE: 1986/05/20	TITLE: SHROUDED HEADER DUAL ROW W/PCB SLOTS & GUIDE EARS .100 GRID .025 SQ PIN	
		3 PLACES ±0.25 ±.010	CHECKED BY: EIK	DATE: 1986/05/20	MOLEX INCORPORATED	
		2 PLACES ±.010 ±.010	APPROVED BY: WAZ	DATE: 1986/05/20	MATERIAL NO. DOCUMENT NO. SDA-70204-0321-0384	
		1 PLACE ±.010 ±.010	ANGULAR ±1/2°		SHEET NO. 1 OF 1	
		DRAFT WHERE APPLICABLE MUST REMAIN WITHIN DIMENSIONS		SEE TABLE		THIS DRAWING CONTAINS INFORMATION THAT IS PROPRIETARY TO MOLEX INCORPORATED AND SHOULD NOT BE USED WITHOUT WRITTEN PERMISSION