

Excellent Integrated System Limited

Stocking Distributor

Click to view price, real time Inventory, Delivery & Lifecycle Information:

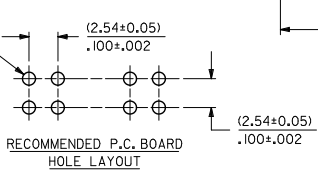
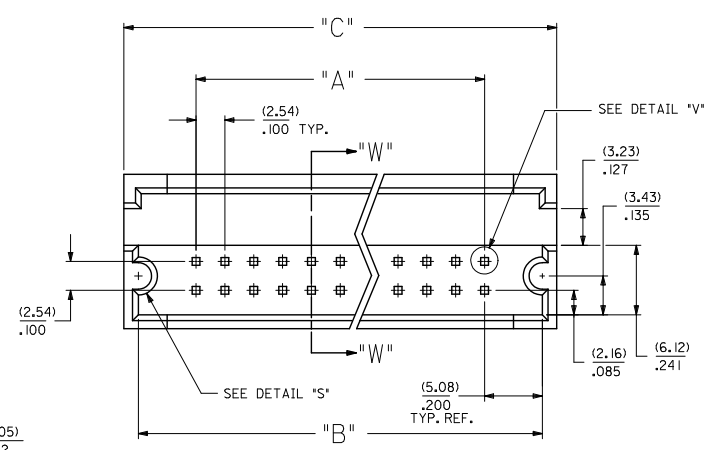
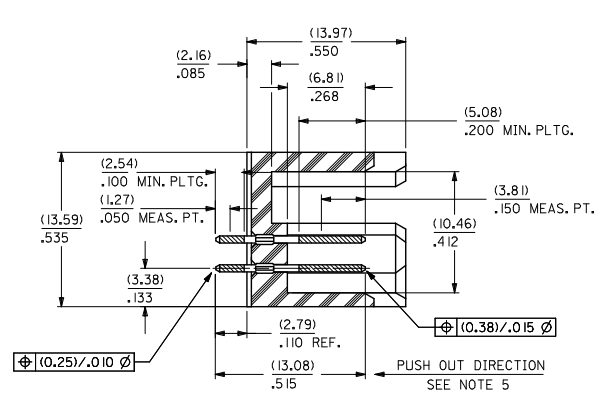
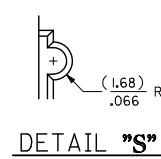
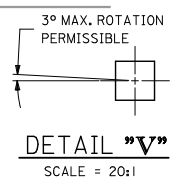
[Molex Connector Corporation](#)
[0025022028](#)

For any questions, you can email us directly:

sales@integrated-circuit.com

CKT. SIZE	PART NUMBER	ENG. NUMBER SDA-70204-	DIM. "A"		DIM. "B"		DIM. "C"	
			MM	IN.	MM	IN.	MM	IN.
08	25-02-2008	0387	7,62	.300	17,78	.700	20,32	.800
10	25-02-2010	0388	10,16	.400	20,32	.800	22,86	.900
12	25-02-2012	0389	12,70	.500	22,86	.900	25,40	1,000
14	25-02-2014	0390	15,24	.600	25,40	1,000	27,94	1,100
16	25-02-2016	0391	17,78	.700	27,94	1,100	30,48	1,200
18	25-02-2018	0392	20,32	.800	30,48	1,200	33,02	1,300
20	25-02-2020	0393	22,86	.900	33,02	1,300	35,56	1,400
22	25-02-2022	0394	25,40	1,000	35,56	1,400	38,10	1,500
24	25-02-2024	0395	27,94	1,100	38,10	1,500	40,64	1,600
26	25-02-2026	0396	30,48	1,200	40,64	1,600	43,10	1,700
28	25-02-2028	0397	33,02	1,300	43,10	1,700	45,72	1,800
30	25-02-2030	0398	35,56	1,400	45,72	1,800	48,26	1,900
32	25-02-2032	0399	38,10	1,500	48,26	1,900	50,80	2,000
34	25-02-2034	0400	40,64	1,600	50,80	2,000	53,34	2,100
36	25-02-2036	0401	43,10	1,700	53,34	2,100	55,88	2,200
38	25-02-2038	0402	45,72	1,800	55,88	2,200	58,42	2,300
40	25-02-2040	0403	48,26	1,900	58,42	2,300	60,96	2,400

CKT. SIZE	PART NUMBER	ENG. NUMBER SDA-70204-	DIM. "A"		DIM. "B"		DIM. "C"	
			MM	IN.	MM	IN.	MM	IN.
42	25-02-2042	0404	50,80	2,000	60,96	2,400	63,50	2,500
44	25-02-2044	0405	53,34	2,100	63,50	2,500	66,04	2,600
46	25-02-2046	0406	55,88	2,200	66,04	2,600	68,58	2,700
48	25-02-2048	0407	58,42	2,300	68,58	2,700	71,12	2,800
50	25-02-2050	0408	60,96	2,400	71,12	2,800	73,66	2,900
52	25-02-2052	0409	63,50	2,500	73,66	2,900	76,20	3,000
54	25-02-2054	0410	66,04	2,600	76,20	3,000	78,74	3,100
56	25-02-2056	0411	68,58	2,700	78,74	3,100	81,28	3,200
58	25-02-2058	0412	71,12	2,800	81,28	3,200	83,82	3,300
60	25-02-2060	0413	73,66	2,900	83,82	3,300	86,36	3,400
62	25-02-2062	0414	76,20	3,000	86,36	3,400	88,90	3,500
64	25-02-2064	0415	78,74	3,100	88,90	3,500	91,44	3,600
66	25-02-2066	0416	81,28	3,200	91,44	3,600	93,98	3,700
68	25-02-2068	0417	83,82	3,300	93,98	3,700	96,52	3,800
70	25-02-2070	0418	86,36	3,400	96,52	3,800	99,06	3,900
72	25-02-2072	0419	88,90	3,500	99,06	3,900	101,60	4,000



- NOTES:
 1. WAFER MATERIAL: GLASS FILLED NYLON, COLOR: BLACK
 2. PIN MATERIAL: COPPER ALLOY
 3. PIN PLATING:
 OVERALL: 150 MICROINCHES MINIMUM TIN OVER NICKEL UNDERPLATE
 4. PINS MUST MEET SOLDERABILITY SPEC. NO. 152
 5. PIN PUSH-OUT FORCE (1,81 KG)/4 LBS MINIMUM
 6. REFER TO P.S. NO. 70204
 7. STANDARD PACKAGING PER: PK-70873-0070

CORRECT DIMENSION EC NO: UCP2011-3692 DRAWN BY: DR. WIKSIBARRA 2011/06/27 CHECKED BY: CHIKOJORGAN APPR: SHILLER 2011/07/07	QUALITY SYMBOLS ▽=0 ▽=0 ▽=0	GENERAL TOLERANCES (UNLESS SPECIFIED)		DIMENSION STYLE		SCALE	DESIGN UNITS	THIRD ANGLE PROJECTION	
		mm	INCH	MM/IN		4:1	INCH		
		4 PLACES	± ---	± ---	DRAWN BY	DATE	TITLE		
		3 PLACES	± ---	± .010	JAS	1986/05/20	SHROUDED HEADER DUAL ROW W/PCB SLOTS & GUIDE EARS .100 GRID, .025 SQ PIN		
2 PLACES	± 0,25	± ---	EIK	1986/05/20	MOLEX INCORPORATED				
1 PLACE	± ---	± ---	APPROVED BY	DATE	MATERIAL NO.				
ANGULAR ± 1/2°				MAZ	1986/05/20	DOCUMENT NO.			
DRAFT WHERE APPLICABLE MUST REMAIN WITHIN DIMENSIONS		SEE TABLE		SDA-70204-0385-0448		SHEET NO. 1 OF 1			
THIS DRAWING CONTAINS INFORMATION THAT IS PROPRIETARY TO MOLEX INCORPORATED AND SHOULD NOT BE USED WITHOUT WRITTEN PERMISSION									