

Excellent Integrated System Limited

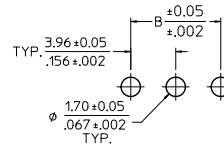
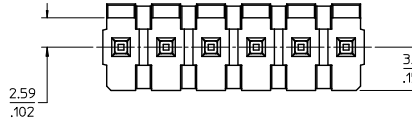
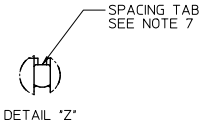
Stocking Distributor

Click to view price, real time Inventory, Delivery & Lifecycle Information:

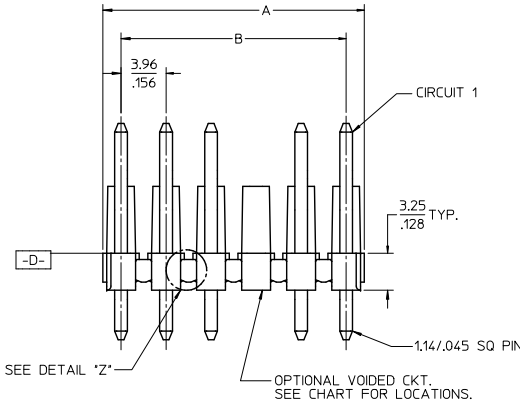
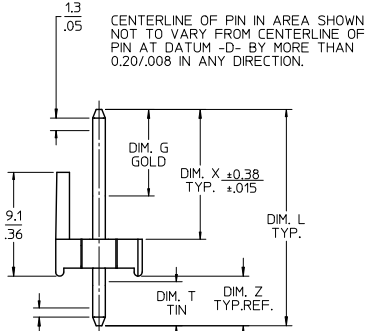
[Molex Connector Corporation](#)
[0026481093](#)

For any questions, you can email us directly:

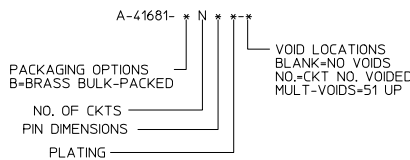
sales@integrated-circuit.com



PCB LAYOUT COMPONENT SIDE
RECOMMENDED PCB THICKNESS:
1.57+0.18/.062+0.007



CENTERLINE OF PIN IN AREA SHOWN NOT TO VARY FROM CENTERLINE OF PIN AT DATUM -D- BY MORE THAN 0.13/.005 IN ANY DIRECTION.



- NOTES:
- MATERIAL: HEADER: GLASS FILLED POLYESTER, 94V-0, MOLDED BLACK PINS- BRASS
 - FINISH:
 - (197) = OVERALL REFLOWED MATTE TIN: (0.00152)/.000060 MIN. OVER (0.00127)/.000050 MIN.
 - (208) = SELECT GOLD: (0.00038)/.000015 MIN. OVER SELECT TIN: (0.00254)/.000100 MIN. OVER NICKEL OVERALL: (0.000127)/.000050 MIN.
 - (228) = SELECT GOLD: (0.00076)/.000030 MIN. OVER SELECT TIN: (0.00254)/.000100 MIN. OVER NICKEL OVERALL: (0.00127)/.000050 MIN.
 - (241) = SELECT GOLD: 0.00051/.000020 MIN. OVER SELECT TIN: 0.00254/.000100 MIN. OVERALL NICKEL UNDERPLATE: 0.00127/.000050 MIN.
 - PRODUCT SPECIFICATION: PS-08-50.
 - PACKAGING: SEE CHART
 - SOLDERABILITY: PER SMES-152
 - PIN PUSH-OUT FORCE: PRIOR TO SOLDERING, A 3 LB. MINIMUM FORCE IN EITHER DIRECTION SHALL BE REQUIRED TO PUSH THE PIN OUT OF THE HEADER.
 - PARTS ARE STACKABLE END TO END ON 3.96/.156 CENTERS. (SPACING TABS MUST BE REMOVED ON CIRCUIT SIZES 1-23 BEFORE PARTS ARE STACKABLE.)

CIRCUIT	A		B	
	mm	inch	mm	inch
2	6.78/7.87	267/310	3.96	.156
3	10.74/11.84	423/466	7.92	.312
4	14.71/15.80	579/622	11.89	.468
5	18.67/19.76	735/778	15.85	.624
6	22.63/23.72	891/934	19.81	.780
7	26.59/27.69	1047/1090	23.77	.936
8	30.56/31.65	1203/1246	27.74	1.092
9	34.52/35.61	1359/1402	31.70	1.248
10	38.48/39.57	1515/1558	35.66	1.404
11	42.44/43.54	1671/1714	39.62	1.560
12	46.41/47.50	1827/1870	43.59	1.716
13	50.37/51.46	1983/2026	47.55	1.872
14	54.33/55.42	2139/2182	51.51	2.028
15	58.29/59.39	2295/2338	55.47	2.184
16	62.26/63.35	2451/2494	59.44	2.340
17	66.22/67.31	2607/2650	63.40	2.496
18	70.18/71.27	2763/2806	67.36	2.652
19	74.14/75.23	2919/2962	71.32	2.808
20	78.11/79.20	3075/3118	75.29	2.964
21	82.07/83.16	3231/3274	79.25	3.120
22	86.03/87.12	3387/3430	83.21	3.276
23	89.94/91.08	3541/3586	87.17	3.432
24	93.85/95.00	3695/3740	91.14	3.588

ADD FINISH 197 EC NO: UCP202-0114 DRAWN BY: CHKOKKIPPER CHECKED BY: APPREHSMITH DATE: 2011/07/26 DATE: 2011/07/27 DATE: 2011/07/28	QUALITY SYMBOLS ∇=0 ∇=0 ∇=0	GENERAL TOLERANCES (UNLESS SPECIFIED) mm INCH 4 PLACES ± --- ± --- 3 PLACES ± --- ± .006 2 PLACES ± 0.15 ± .010 1 PLACE ± 0.25 ± --- ANGULAR ±1/2°	DIMENSION STYLE MM/IN	SCALE 4:1	DESIGN UNITS INCH	THIRD ANGLE PROJECTION	
		DRAWN BY: SAMIEC DATE: 08/09/85	CHECKED BY: PATTEL DATE: 08/09/85	APPROVED BY: LENZ DATE: 08/09/85	TITLE KK .156 HEADER ASSEMBLY POLARIZING STRAIGHT 2-24 CKTS.	MOLEX INCORPORATED	SHEET NO. 1 OF *
		DRAFT WHERE APPLICABLE MUST REMAIN WITHIN DIMENSIONS	SEE CHART	MATERIAL NO. SD-41681-001	DOCUMENT NO.	THIS DRAWING CONTAINS INFORMATION THAT IS PROPRIETARY TO MOLEX INCORPORATED AND SHOULD NOT BE USED WITHOUT WRITTEN PERMISSION	
		SIZE C					