

Excellent Integrated System Limited

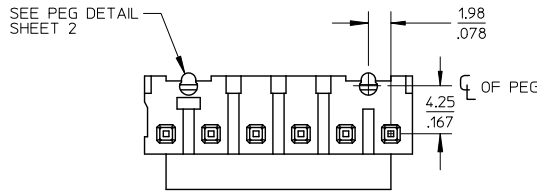
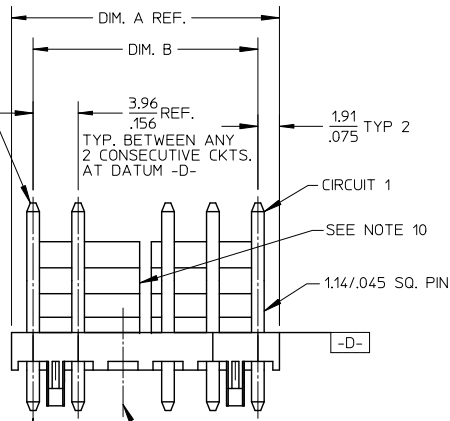
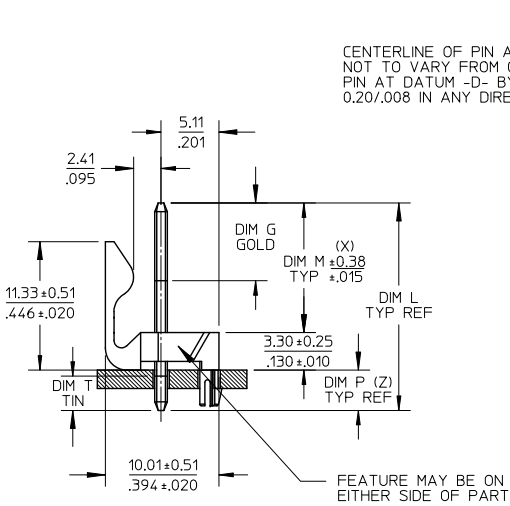
Stocking Distributor

Click to view price, real time Inventory, Delivery & Lifecycle Information:

[Molex Connector Corporation](#)
[0026606030](#)

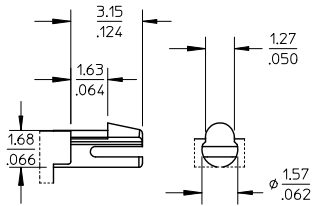
For any questions, you can email us directly:

sales@integrated-circuit.com

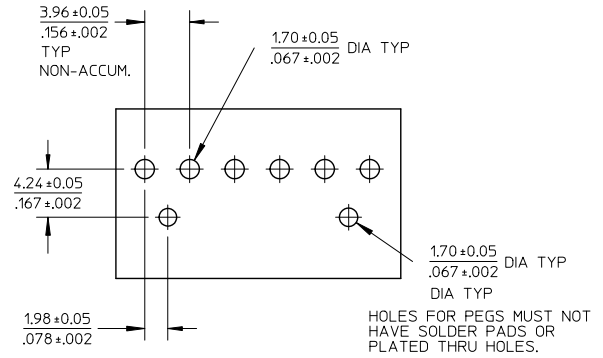


NO. OF CKTS.	DIM. A	DIM. B	SLOT LOC BETWEEN CKTS
2	7.77 .306	3.96±0.05 .156±.002	NONE
3	11.73 .462	7.92±0.08 .312±.003	NONE
4	15.70 .618	11.89±0.08 .468±.003	NONE
5	19.66 .774	15.85±0.10 .624±.004	NONE
6	23.62 .930	19.81±0.10 .780±.004	3 & 4
7	27.58 1.086	23.77±0.10 .936±.004	4 & 5
8	31.55 1.227	27.74±0.13 1.092±.005	4 & 5
9	35.51 1.398	31.70±0.13 1.248±.005	5 & 6
10	39.47 1.554	35.66±0.13 1.404±.005	5 & 6
11	43.43 1.710	39.62±0.15 1.560±.006	6 & 7
12	47.40 1.866	43.59±0.15 1.716±.006	4 & 5 8 & 9

ADD FINISH 197, 241 EC NO: UCP2012-0114 DRAWN:MMSTROH 2011/08/09 CHKD:HKIPPER 2011/10/21 APPR:FSMITH 2011/10/28 DESCRIPTION REV	QUALITY SYMBOLS	GENERAL TOLERANCES (UNLESS SPECIFIED)	DIMENSION STYLE	SCALE	DESIGN UNITS	THIRD ANGLE PROJECTION
	$\nabla=0$ $\nabla=0$ $\nabla=0$	4 PLACES ± --- ± --- 3 PLACES ± --- ± .010 2 PLACES ± 0.25 ± .015 1 PLACE ± 0.38 ± --- ANGULAR ± 1/2°	MM/IN	---	INCH	
		DRAFT WHERE APPLICABLE MUST REMAIN WITHIN DIMENSIONS	DRAWN BY DATE SCHAFFER 12-11-03 CHECKED BY DATE SAMIEC 12-14-03 APPROVED BY DATE MARGULIS 12-18-03 MATERIAL NO. SEE CHART	TITLE		FR. LOCK HEADER ASSEMBLY .156 CENTERS STR SQ PINS W/ PEGS MOLEX INCORPORATED
			SIZE A THIS DRAWING CONTAINS INFORMATION THAT IS PROPRIETARY TO MOLEX INCORPORATED AND SHOULD NOT BE USED WITHOUT WRITTEN PERMISSION	DOCUMENT NO.		SD-42891-001 SHEET NO. 1 OF *



PEG DETAIL



RECOMMENDED PC BOARD HOLE LAYOUT:
COMPONENT SIDE FOR 1.57/.062 THK. PCB

FOR CORRECT ORIENTATION OF PARTS WITH
VOIDS, ELIMINATE CORRESPONDING PCB HOLE.

- NOTES:
1. MATERIAL: HEADER-GLASS FILLED POLYESTER, 94V-0, MOLDED NATURAL WHITE PINS: BRASS
 2. FINISHES: (197) OVERALL REFLOWED MATTE TIN: 0.00152/.000060 MIN. OVER 0.00127/.000050 MIN. NICKEL OVERALL.
(154) OVERALL TIN: 0.00254/.000100 MIN. OVER 0.00127/.000050 MIN. NICKEL
(208) SELECT GOLD: 0.00038/.000015 MIN. SELECT TIN: 0.00254/.000100 MIN. OVERALL NICKEL UNDERPLATE: 0.00127/.000050 MIN.
(228) SELECT GOLD: 0.00076/.000030 MIN. SELECT TIN: 0.00254/.000100 MIN. OVERALL NICKEL UNDERPLATE: 0.00127/.000050 MIN.
(241) SELECT GOLD: 0.00051/.000020 MIN. SELECT TIN: 0.00254/.000100 MIN. OVERALL NICKEL UNDERPLATE: 0.00127/.000050 MIN.
 3. PRODUCT SPECIFICATION: SEE PS-08-50.
 4. PACKAGING INFO: SEE TABLES
 5. SOLDERABILITY: PER SMES-152
 6. PIN PUSH OUT FORCE: PRIOR TO SOLDERING, A 3 LB MINIMUM FORCE (IN EITHER DIRECTION) SHALL BE REQUIRED TO PUSH THE PIN OUT OF THE HEADER.
 7. PARTS ARE STACKABLE END TO END ON 3.96/.156 CENTERS.
 8. FOR PART WITHOUT PEGS SEE DWG. NO. SDA-41791.
 9. THIS PART CONFORMS TO CLASS B REQUIREMENTS OF COSMETIC SPECIFICATION PS-45499-002.
 10. SLOTS ON BACKWALL ARE BETWEEN CIRCUITS. SEE CHART FOR LOCATION.

SEE SHEET 1 EC NO: UCP2012-014 DRAWN:MMSTROH 2011/08/09 CHKD:KKIPPER 2011/10/21 APPR:FSMITH 2011/10/28 REV	QUALITY SYMBOLS	GENERAL TOLERANCES (UNLESS SPECIFIED)	DIMENSION STYLE	SCALE	DESIGN UNITS	THIRD ANGLE PROJECTION
	▽=0	mm INCH	MM/IN	---	INCH	
	▽=0	4 PLACES ± --- ± ---	DRAWN BY DATE	TITLE		
	▽=0	3 PLACES ± --- ± .010	SCHAFFER 12-11-03	FR. LOCK HEADER ASSEMBLY		
	▽=0	2 PLACES ± 0.25 ± .015	CHECKED BY DATE	.156 CENTERS		
	1 PLACE ± 0.38 ± ---	SAMIEC 12-14-03	STR SQ PINS W/ PEGS			
	ANGULAR ± 1/2°	APPROVED BY DATE	MOLEX MOLEX INCORPORATED			
	DRAFT WHERE APPLICABLE MUST REMAIN WITHIN DIMENSIONS	MARGULIS 12-18-03	MATERIAL NO.	DOCUMENT NO.	SHEET NO.	
			SEE CHART	SD-42891-001	2 OF *	
			SIZE A	THIS DRAWING CONTAINS INFORMATION THAT IS PROPRIETARY TO MOLEX INCORPORATED AND SHOULD NOT BE USED WITHOUT WRITTEN PERMISSION		