

Excellent Integrated System Limited

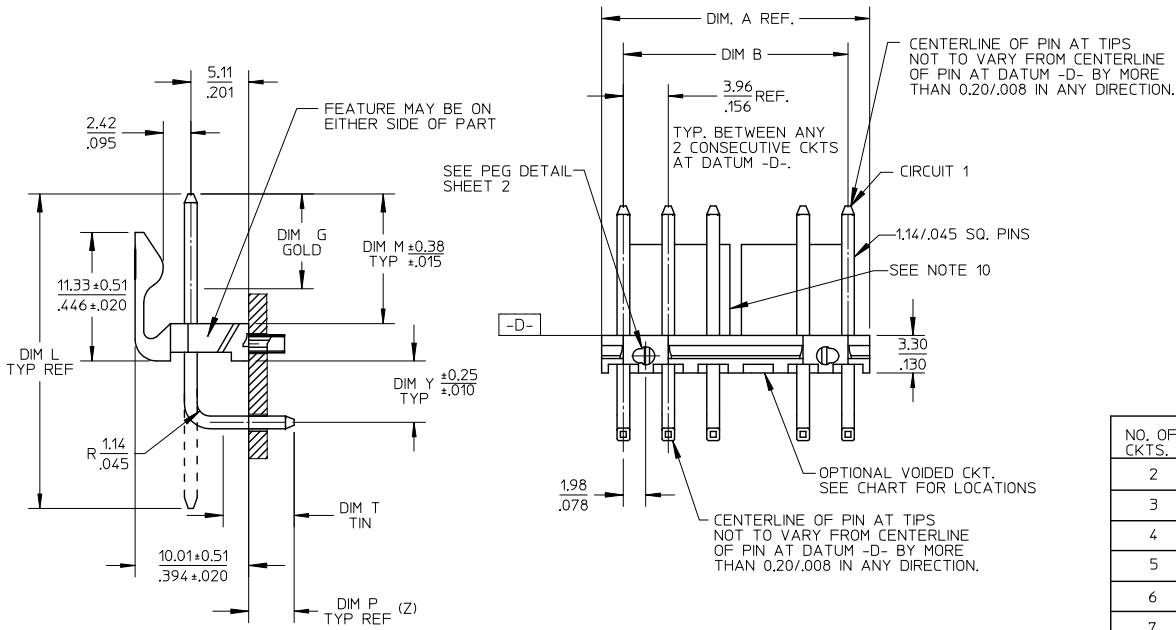
Stocking Distributor

Click to view price, real time Inventory, Delivery & Lifecycle Information:

[Molex Connector Corporation](#)
[0026607090](#)

For any questions, you can email us directly:

sales@integrated-circuit.com



NO. OF CKTS.	DIM. A	DIM. B	SLOT LOC BETWEEN CKTS
2	7.77 .306	3.96±0.05 .156±0.002	NONE
3	11.73 .462	7.92±0.08 .312±0.003	NONE
4	15.70 .618	11.89±0.08 .468±0.003	NONE
5	19.66 .774	15.85±0.10 .624±0.004	NONE
6	23.62 .930	19.81±0.10 .780±0.004	3 & 4
7	27.58 1.086	23.77±0.10 .936±0.004	4 & 5
8	31.55 1.242	27.74±0.13 1.092±0.005	4 & 5
9	35.51 1.398	31.70±0.13 1.248±0.005	5 & 6
10	39.47 1.554	35.66±0.13 1.404±0.005	5 & 6
11	43.43 1.710	39.62±0.15 1.560±0.006	6 & 7
12	47.40 1.866	43.59±0.15 1.716±0.006	4 & 5 8 & 9

QUALITY SYMBOLS 	GENERAL TOLERANCES (UNLESS SPECIFIED)		DIMENSION STYLE MM/IN	SCALE 2:1	DESIGN UNITS INCH	THIRD ANGLE PROJECTION
		mm	INCH	DRAWN BY SCHAFFER	DATE 12-12-03	TITLE FRICTION LOCK HDR. ASSY. .156 BENT SQ PINS W/PEGS RT. ANGLE MOUNT molex DOCUMENT NO. SD-42892-001 SHEET NO. 1 OF *
	4 PLACES	± ---	± ---	CHECKED BY SAMIEC	DATE 12-15-03	
	3 PLACES	± ---	± .010	APPROVED BY MARGULIS	DATE 12-19-03	
2 PLACES	± 0.25	± .015	MATERIAL NO. SEE CHART	SIZE A		
1 PLACE	± 0.38	± ---	ANGULAR ±1/2°		THIS DRAWING CONTAINS INFORMATION THAT IS PROPRIETARY TO MOLEX INCORPORATED AND SHOULD NOT BE USED WITHOUT WRITTEN PERMISSION	
0 PLACE	±	±	DRAFT WHERE APPLICABLE MUST REMAIN WITHIN DIMENSIONS			

tb_frame_A_P_AM_T
Rev. G 2012/01/11

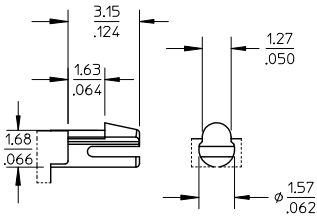
5

4

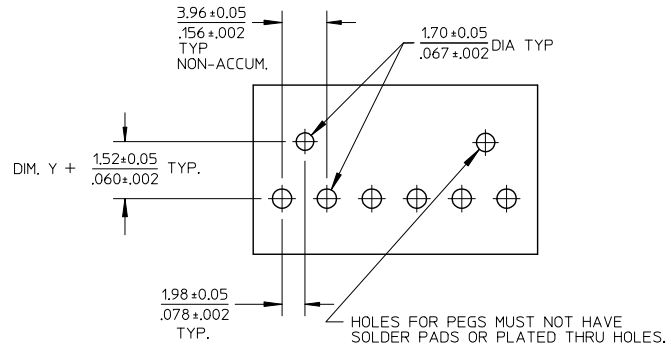
3

2

1



PEG DETAIL



RECOMMENDED PC BOARD HOLE LAYOUT:
COMPONENT SIDE FOR 1.57/.062 THICK PCB

FOR CORRECT ORIENTATION OF PARTS WITH VOIDS, ELIMINATE CORRESPONDING PCB HOLE.

NOTES:

1. MATERIAL: HEADER-GLASS FILLED POLYESTER, 94V-0, MOLDED NATURAL WHITE
PINS: BRASS
2. FINISHES: (197) OVERALL REFLOWED MATTE TIN: 0.00152/.000060 MIN.
OVER 0.00127/.000050 MIN. NICKEL OVERALL.
(208) SELECT GOLD: 0.00038/.000015
SELECT TIN: 0.00254/.000100
OVERALL NICKEL UNDERPLATE: 0.00127/.000050
(228) SELECT GOLD: 0.00076/.000030
SELECT TIN: 0.00254/.000100
OVERALL NICKEL UNDERPLATE: 0.00127/.000050
(241) SELECT GOLD: 0.00051/.000020 MIN.
SELECT TIN: 0.00254/.000100 MIN.
OVERALL NICKEL UNDERPLATE: 0.00127/.000050 MIN.
3. PRODUCT SPECIFICATION: SEE PS-08-50.
4. PACKAGING INFO: SEE TABLES
5. SOLDERABILITY: PER SMES-152
6. PIN PUSH OUT FORCE: PRIOR TO SOLDERING, A 3 LB MINIMUM FORCE (IN EITHER DIRECTION) SHALL BE REQUIRED TO PUSH THE PIN OUT OF THE HEADER.
7. PARTS ARE STACKABLE END TO END ON (3.96)/.156 CENTERS.
8. FOR PART WITHOUT PEGS SEE DWG. NO. SDA-41792.
9. THIS PART CONFORMS TO CLASS B REQUIREMENTS OF COSMETIC SPECIFICATION PS-45499-002.
10. SLOTS ON BACKWALL ARE BETWEEN CIRCUITS. SEE CHART FOR LOCATION.

SEE SHEET 1 EC NO: UCP2013-1786 DRWN:MMSTROH 2012/11/05 CHKD:MKIPPER 2012/11/07 APPR:FSMLTH 2012/11/06 H2 REV	QUALITY SYMBOLS	GENERAL TOLERANCES (UNLESS SPECIFIED)		DIMENSION STYLE MM/IN		SCALE 2:1	DESIGN UNITS INCH	THIRD ANGLE PROJECTION
	▽=0	4 PLACES	± ---	± ---	DRAWN BY SCHAFFER	DATE 12-12-03	TITLE FRICTION LOCK HDR. ASSY. .156 BENT SQ PINS W/PEGS RT. ANGLE MOUNT molex DOCUMENT NO. SD-42892-001 SHEET NO. 2 OF *	
	▽=0	3 PLACES	± ---	± .010	CHECKED BY SAMIEC	DATE 12-15-03		
	▽=0	2 PLACES	± 0.25	± .015	APPROVED BY MARGULIS	DATE 12-19-03		
	▽=0	1 PLACE	± 0.38	± ---	MATERIAL NO. SEE CHART			
▽=0	0 PLACE	±	±	DRAFT WHERE APPLICABLE MUST REMAIN WITHIN DIMENSIONS				
		ANGULAR ±1/2°		SIZE A		THIS DRAWING CONTAINS INFORMATION THAT IS PROPRIETARY TO MOLEX INCORPORATED AND SHOULD NOT BE USED WITHOUT WRITTEN PERMISSION		