

Excellent Integrated System Limited

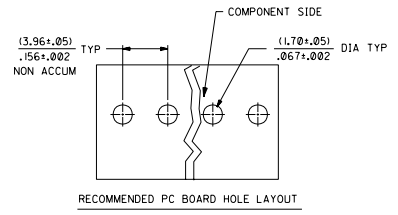
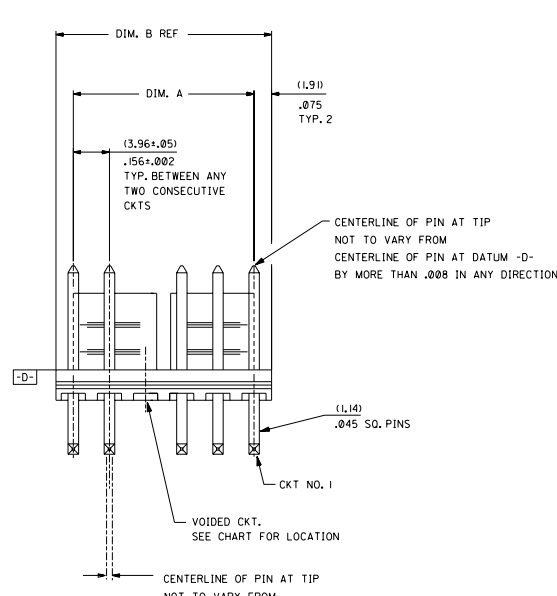
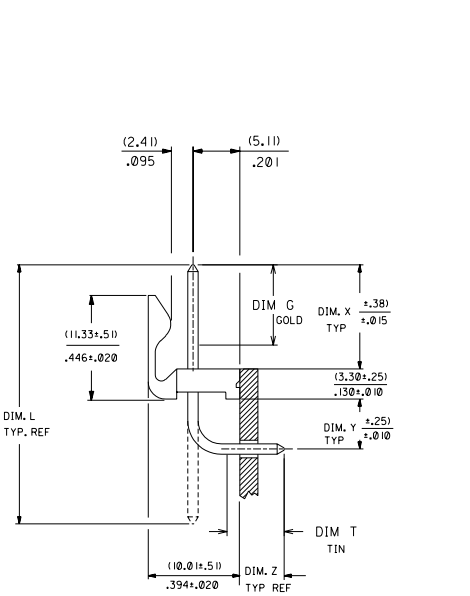
Stocking Distributor

Click to view price, real time Inventory, Delivery & Lifecycle Information:

[Molex Connector Corporation](#)
[0026615042](#)

For any questions, you can email us directly:

sales@integrated-circuit.com

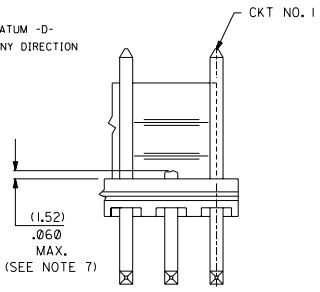


- NOTES:
- PRECEDING ENG. NO. IN CHART DESIGNATES STANDARD PRODUCT.
 - SOLDERABILITY: WHEN PARTS ARE SOLDERED AT A TEMPERATURE OF 230°C (446°F) FOR 5 SECONDS, EACH SOLDERED SURFACE SHALL BE A MINIMUM OF 95% COVERED WITH A SMOOTH CONTINUOUS ADHERENT COATING. FOR OTHER INFORMATION SEE ES-152.
 - PIN PUSH OUT FORCE: PRIOR TO SOLDERING, A 3 POUND MINIMUM FORCE (IN EITHER DIRECTION) SHALL BE REQUIRED TO PUSH THE PIN OUT OF THE HEADER.
 - FOR ADDITIONAL INFORMATION AND TESTING PROCEDURES SEE PS-08-50.
 - PARTS ARE STACKABLE END TO END ON (3.96)/.156 CENTERS.
 - FOR PART WITH PEGS SEE DWG NO. SDA-42492
 - BURRS DUE TO CUTTING OFF OF PINS MUST NOT VARY FROM CENTERLINE OF PIN AT DATUM -D- BY MORE THAN .008 IN ANY DIRECTION.

MATERIAL: HEADER: GLASS FILLED POLYESTER, 94V-0, MOLDED NATURAL (WHITE).
PIN: BRASS

PLATINGS:

(102) ELECTRO TIN .000450/.000200 OVER .000200/.000100 COPPER
(567) SELECT GOLD 15 M.I. MIN, SELECT TIN/LEAD 100 M.I. MIN., OVER NICKEL
(569) SELECT GOLD 30 M.I. MIN, SELECT TIN/LEAD 100 M.I. MIN., OVER NICKEL
FOR ADDITIONAL INFORMATION SE SDES-88.



NO. OF CKT'S.	DIM. A	DIM. B
2	(3.96±.05)	(7.77)
3	(7.92±.08)	(11.73)
4	(11.88±.08)	(15.70)
5	(15.85±.10)	(19.66)
6	(19.81±.10)	(23.62)
7	(23.77±.10)	(27.58)
8	(27.74±.13)	(31.55)
9	(31.70±.13)	(35.51)
10	(35.66±.13)	(39.47)
11	(39.62±.15)	(43.43)
12	(43.59±.15)	(47.40)
13	(47.55±.15)	(51.36)
14	(51.51±.18)	(55.32)
15	(55.47±.18)	(59.28)
16	(59.44±.18)	(63.25)
17	(63.40±.20)	(67.21)
18	(67.36±.20)	(71.17)

REL SHT 5 UCP2003-0755 11/6/2002 SAMIEC		DIMENSIONS SHOWN (METRIC) INCH UNLESS OTHERWISE SPECIFIED TOLERANCES: ANGULAR ±1/2°		REVISE ONLY ON CAD SYSTEM	
REL SHT 4 UCR2002-0555 12/17/01 SAMIEC		3 PLACE INCH METRIC		TITLE FRICITION LOCK HEADER ASSY 156 C BENT SQ PINS, W/O PEGS 41792 SERIES DWG.	
ADD PACK SPEC UCR2002-0087 7/26/01 SAMIEC		DRAWING APPLICABLE MUST REMAIN WITHIN DIMENSIONS		MOLEX INCORPORATED 10000 W. BROADWAY MILWAUKEE, WI 53192 DATE 09/09/87	
APP'D: LENZ		CHK'D: PATEL		PART NO. SDA-41792 SHEET NO. 1 OF 6	
LTR. REVISIONS		LTR. REVISIONS		DATE 09/09/87	



Distributor of Molex Connector Corporation: Excellent Integrated System Limited

Datasheet of 0026615042 - KK 156 HDR ASSY FRLK RTAN 4POS

Contact us: sales@integrated-circuit.com Website: www.integrated-circuit.com

Table with columns: ENG. NO., HEADER NO., PIN NO., PLATING, DIM. L, DIM. X, DIM. G GOLD, DIM. Y, DIM. Z, DIM. T TIN, DIM. W, NO-OF CKTS, VOID CKTS, PACKAGING. Rows include part numbers like A-41792-0019/0035 and dimensions.

Large empty table area with column headers corresponding to the top table, likely for a detailed parts list or assembly instructions.

Table with columns: A-41792-0019/0035, A-41792-0036/0050, A-41792-0051/0067, A-41792-0068/0084, A-41792-0085/0101, A-41792-0102/0118. Sub-headers: EDP NO., ENG. NO., NO OF CKTS.

Technical drawing area containing: DIMENSIONS (SHOW METRIC) INCH, TITLES, MOLEX INCORPORATED, SEE CHART, SDA-41792, and various revision notes.

Bottom row of the sheet with column indices 13, 12, 11, 10, 9, 8, 7, 6, 5, 4, 3, 2, 1.