

Excellent Integrated System Limited

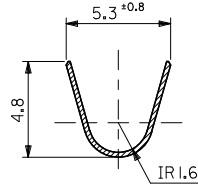
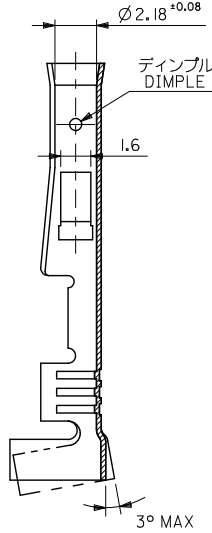
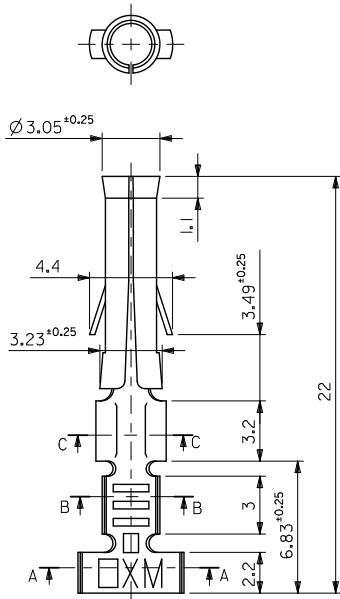
Stocking Distributor

Click to view price, real time Inventory, Delivery & Lifecycle Information:

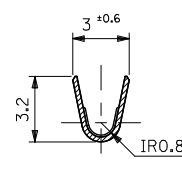
[Molex Connector Corporation](#)
[0039000289](#)

For any questions, you can email us directly:

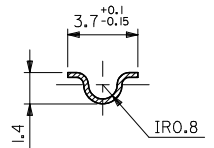
sales@integrated-circuit.com



SECT. A-A



SECT. B-B



SECT. C-C

ニッケル (2 μm MIN.) 下地 金 (0.35 μm MIN.) GOLD (0.35 μm MIN.) OVER NICKEL (2 μm MIN.)	無 NO	39-00-0295	1189AGL	バラ端子 LOOSE
	有 YES	39-00-0294	1189AG	連鎖端子 CHAIN
銅 (0.5 μm MIN.) 下地 錫 (0.9 μm MIN.) TIN (0.9 μm MIN.) OVER COPPER (0.5 μm MIN.)	無 NO	39-00-0289	1189ATL	バラ端子 LOOSE
	有 YES	39-00-0288	1189AT	連鎖端子 CHAIN
メッキ PLATING	ディンプル有無 WITH DIMPLE	EDP.NO.	ENG.NO.	形状 FORM

注記 NOTES:

1. 一般公差: ±0.4
GENERAL TOLERANCES: ±0.4

材料 MATERIAL	黄銅 BRASS	0.264t
適用電線範囲 WIRE RANGE	AWG# 14-#20	
被覆外径 INS. RANGE	∅ 1.6 ~ 4.1	

REVISED EC NO. J2010-2186 DRAWN BY: DRW:RITSURIOKA 2010/05/17 CHKD: HARUYAMA 2010/05/17 APPR: HIRATA 2010/05/21 REV J	GENERAL TOLERANCES (UNLESS SPECIFIED)	DIMENSION STYLE MM ONLY	SCALE 5:1	DESIGN UNITS METRIC	THIRD ANGLE PROJECTION
	10 UNDER ± ---	DRAWN BY HASEGAWA	DATE 1993/07/06	TITLE .093 DIA.FEMALE TERM.	
	10 OVER 30 UNDER ± ---	CHECKED BY HIRAMOTO	DATE 1993/07/06	MOLEX INCORPORATED	
	30 OVER ± ---	APPROVED BY FUKUSHIMA	DATE 1993/07/06	DOCUMENT NO. SD-1189-002	SHEET NO. 1 OF 1
ANGULAR ± --- °	MATERIAL NO. SEE TABLE				
DRAFT WHERE APPLICABLE MUST REMAIN WITHIN DIMENSIONS					
SIZE A3 THIS DRAWING CONTAINS INFORMATION THAT IS PROPRIETARY TO MOLEX INCORPORATED AND SHOULD NOT BE USED WITHOUT WRITTEN PERMISSION					