

Excellent Integrated System Limited

Stocking Distributor

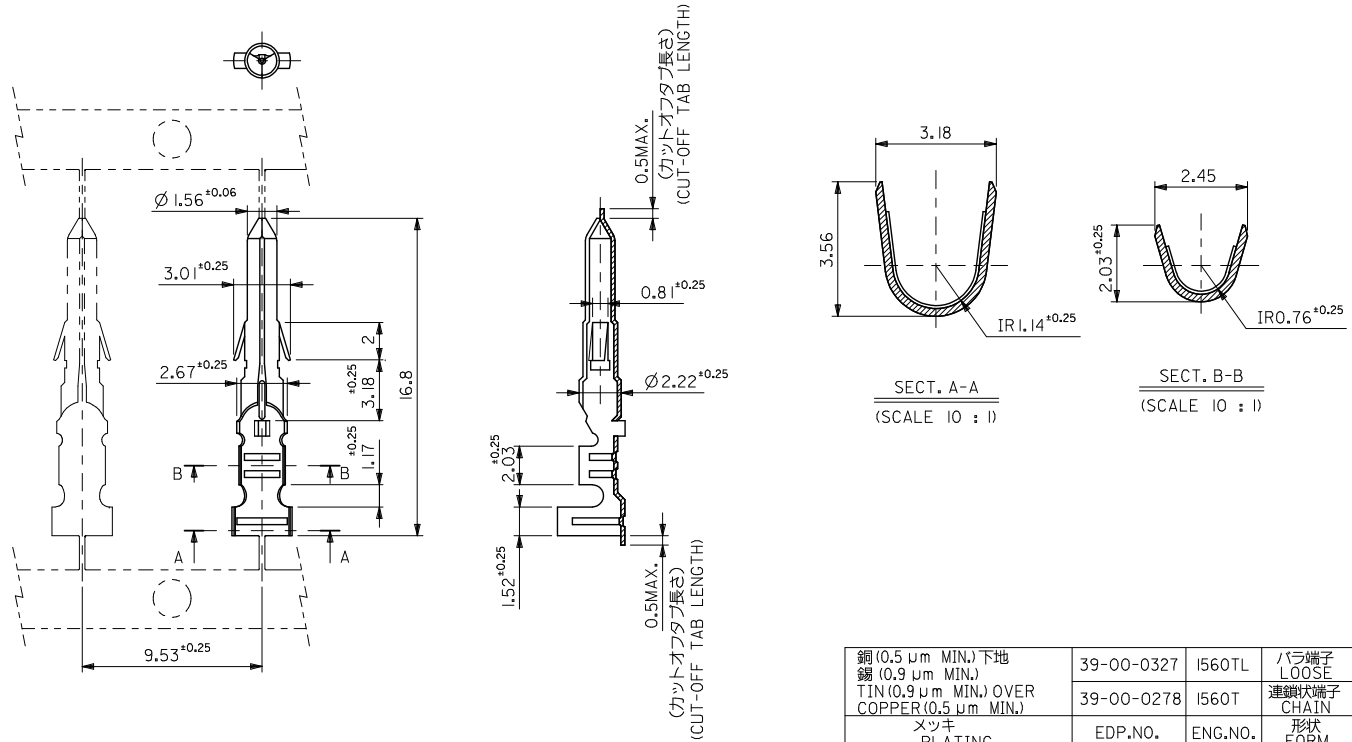
Click to view price, real time Inventory, Delivery & Lifecycle Information:

[Molex Connector Corporation](#)
[0039000327](#)

For any questions, you can email us directly:

sales@integrated-circuit.com

10 9 8 7 6 5 4 3 2 1



銅 (0.5 μm MIN.) 下地 錫 (0.9 μm MIN.) TIN (0.9 μm MIN.) OVER COPPER (0.5 μm MIN.) メッキ PLATING	39-00-0327	I560TL	バラ端子 LOOSE
	39-00-0278	I560T	連鎖端子 CHAIN
	EDP.NO.	ENG.NO.	形状 FORM
			MODEL NO. 1560*

注記 NOTES:

- 1. 一般公差 : ±0.4
GENERAL TOLERANCES: ±0.4

材料 MATERIAL	黄銅 BRASS
仕上げ FINISH	0.2 t
適用電線範囲 WIRE RANGE	AWG# 18-#24
被覆外径 INS. RANGE	φ 1.5~3.1

REVISED EC NO. J2009-1263 DRW: NAKAMURA 2008/12/16 CHK: T. HIRUYAMA 2008/12/16 APPR: NUKITA 2009/01/15 REV DESCRIPTION	GENERAL TOLERANCES (UNLESS SPECIFIED)	DIMENSION STYLE MM ONLY	SCALE 5:1	DESIGN UNITS METRIC	THIRD ANGLE PROJECTION
	10 UNDER ± ---	DRAWN BY H. HASEGAWA	DATE '93/7/19	TITLE 0.62 DIA CRIMP MALE TERM	
	10 OVER 30 UNDER ± ---	CHECKED BY H. HIRAMOTO	DATE '93/7/19	MOLEX INCORPORATED	
	30 OVER ± ---	APPROVED BY M. FUKUSHIMA	DATE '93/7/19	DOCUMENT NO. SD-1560-001	SHEET NO. 1 OF 1
ANGULAR ± --- °	SEE TABLE				
DRAFT WHERE APPLICABLE MUST REMAIN WITHIN DIMENSIONS					
THIS DRAWING CONTAINS INFORMATION THAT IS PROPRIETARY TO MOLEX INCORPORATED AND SHOULD NOT BE USED WITHOUT WRITTEN PERMISSION					