

Excellent Integrated System Limited

Stocking Distributor

Click to view price, real time Inventory, Delivery & Lifecycle Information:

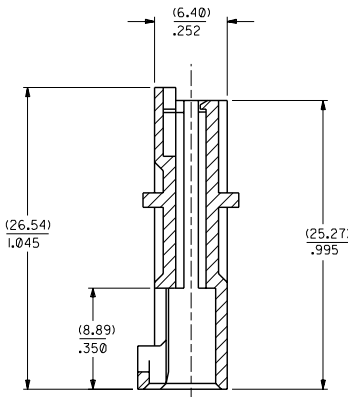
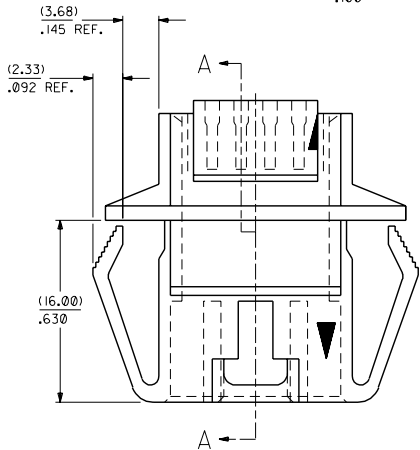
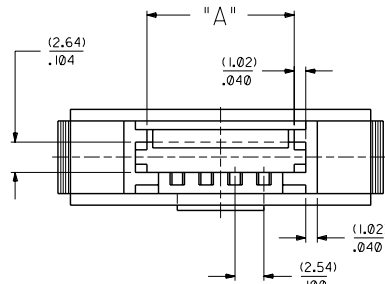
[Molex Connector Corporation](#)
[0050650122](#)

For any questions, you can email us directly:

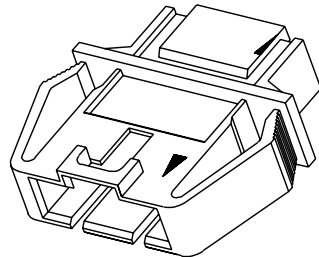
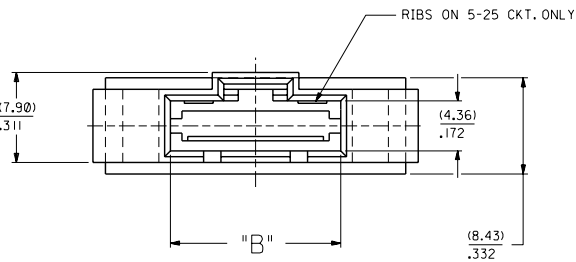
sales@integrated-circuit.com

NOTES :

- 1) MATERIAL : POLYESTER, 94V-0
COLOR : BLACK
- 2) SEE CHART FOR CIRCUIT SIZES .
- 3) HOUSING TO BE USED WITH 70400 SERIES HOUSING (OPTION 'D' & INTERIM CLIP 70004 (VERSION A))
- 4) PANEL THICKNESS (0.81)/.032 - (2.36)/.093
- 5) SEE SHEET 2 FOR MOUNTING HOLE DIMENSIONS .
- 6) PACKAGE PER PK-70104-100.



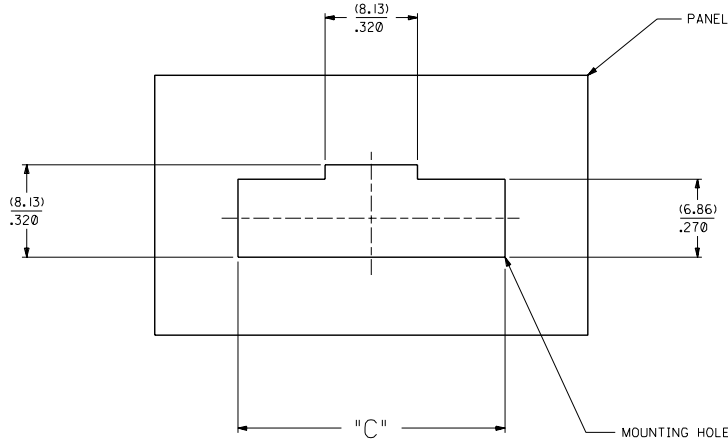
SECTION A-A



CKT. NO.	EDP. NO.	ENG. NO.	DIM. A	DIM. B
4	50-65-0104	70104-0003	(10.29) .405	(12.45) .490
5	50-65-0105	70104-0004	(12.83) .505	(14.99) .590
6	50-65-0106	70104-0005	(15.37) .605	(17.53) .690
7	50-65-0107	70104-0006	(17.91) .705	(20.07) .790
8	50-65-0108	70104-0007	(20.45) .805	(22.61) .890
9	50-65-0109	70104-0008	(22.99) .905	(25.15) .990
10	50-65-0110	70104-0009	(25.53) 1.005	(27.69) 1.090
11	50-65-0111	70104-0010	(28.07) 1.105	(30.23) 1.190
12	50-65-0112	70104-0011	(30.61) 1.205	(32.77) 1.290
13	50-65-0113	70104-0012	(33.15) 1.305	(35.31) 1.390
14	50-65-0114	70104-0013	(35.69) 1.405	(37.85) 1.490
15	50-65-0115	70104-0014	(38.23) 1.505	(40.39) 1.590
16	50-65-0116	70104-0015	(40.77) 1.605	(42.93) 1.690
17	50-65-0117	70104-0016	(43.31) 1.705	(45.47) 1.790
18	50-65-0118	70104-0017	(45.85) 1.805	(48.01) 1.890
19	50-65-0119	70104-0018	(48.39) 1.905	(50.55) 1.990
20	50-65-0120	70104-0019	(50.93) 2.005	(53.09) 2.090
21	50-65-0121	70104-0020	(53.47) 2.105	(55.63) 2.190
22	50-65-0122	70104-0021	(56.01) 2.205	(58.17) 2.290
23	50-65-0123	70104-0022	(58.55) 2.305	(60.71) 2.390
24	50-65-0124	70104-0023	(61.09) 2.405	(63.25) 2.490
25	50-65-0125	70104-0024	(63.63) 2.505	(65.79) 2.590

H		REVISE PER ECR #180070 4/27/88 MJM	DIMENSIONS SHOWN IN METRIC INCH UNLESS OTHERWISE SPECIFIED TOLERANCES ANGULAR ± 1/2°		REVISION ONLY ON CAD SYSTEM																										
G		REVISED RIBS AND DIM "A" PER E.C.R. #9776 06/11/87 MJM	<table border="1"> <tr><th colspan="2">INCH</th><th colspan="2">METRIC</th></tr> <tr><td>3 PLACE</td><td>± .010</td><td>---</td><td>---</td></tr> <tr><td>2 PLACE</td><td>± .012</td><td>± 0.25</td><td>---</td></tr> <tr><td>1 PLACE</td><td>---</td><td>± 0.35</td><td>---</td></tr> </table>		INCH		METRIC		3 PLACE	± .010	---	---	2 PLACE	± .012	± 0.25	---	1 PLACE	---	± 0.35	---	TITLE HOUSING PANEL MOUNT (INTERIM CLIP TO OPT. 'D' HSG.)										
INCH		METRIC																													
3 PLACE	± .010	---	---																												
2 PLACE	± .012	± 0.25	---																												
1 PLACE	---	± 0.35	---																												
I		ADD PKG. NOTE PER UDT2000-0468 SCHAFFER 99/12/1	<table border="1"> <tr><th>DRWG. BY</th><th>CHKD. BY</th><th>WZ</th></tr> <tr><td>ME</td><td>WZ</td><td></td></tr> <tr><td>RL</td><td></td><td></td></tr> </table>		DRWG. BY	CHKD. BY	WZ	ME	WZ		RL			<table border="1"> <tr><td colspan="2">MOLEX INCORPORATED</td><td>SHEET NO.</td><td>DATE</td></tr> <tr><td colspan="2">1555 CHILLY</td><td>1 OF 2</td><td>4/25/86</td></tr> <tr><td colspan="2">SEE CHART</td><td>DRWG. NO.</td><td></td></tr> <tr><td colspan="2"></td><td>SD-70104-0003-0024</td><td></td></tr> </table>		MOLEX INCORPORATED		SHEET NO.	DATE	1555 CHILLY		1 OF 2	4/25/86	SEE CHART		DRWG. NO.				SD-70104-0003-0024	
DRWG. BY	CHKD. BY	WZ																													
ME	WZ																														
RL																															
MOLEX INCORPORATED		SHEET NO.	DATE																												
1555 CHILLY		1 OF 2	4/25/86																												
SEE CHART		DRWG. NO.																													
		SD-70104-0003-0024																													
LTR.		REVISIONS	SCALE 4 : 1		NO. P.S.																										

CKT. NO.	EDP. NO.	ENG. NO.	DIM. C
4	50-65-0104	70104-0003	(20.95) .825
5	50-65-0105	70104-0004	(23.49) .925
6	50-65-0106	70104-0005	(26.03) 1.025
7	50-65-0107	70104-0006	(28.57) 1.125
8	50-65-0108	70104-0007	(31.11) 1.225
9	50-65-0109	70104-0008	(33.65) 1.325
10	50-65-0110	70104-0009	(36.19) 1.425
11	50-65-0111	70104-0010	(38.73) 1.525
12	50-65-0112	70104-0011	(41.27) 1.625
13	50-65-0113	70104-0012	(43.81) 1.725
14	50-65-0114	70104-0013	(46.35) 1.825
15	50-65-0115	70104-0014	(48.89) 1.925
16	50-65-0116	70104-0015	(51.43) 2.025
17	50-65-0117	70104-0016	(53.97) 2.125
18	50-65-0118	70104-0017	(56.51) 2.225
19	50-65-0119	70104-0018	(59.05) 2.325
20	50-65-0120	70104-0019	(61.59) 2.425
21	50-65-0121	70104-0020	(64.13) 2.525
22	50-65-0122	70104-0021	(66.67) 2.625
23	50-65-0123	70104-0022	(69.21) 2.725
24	50-65-0124	70104-0023	(71.75) 2.825
25	50-65-0125	70104-0024	(74.29) 2.925



RECOMMENDED MOUNTING HOLE LAYOUT

LTR.		REVISIONS		LTR.		REVISIONS		LTR.		REVISIONS		LTR.		REVISIONS	

DIMENSIONS SHOWN IN METRIC INCH		UNLESS OTHERWISE SPECIFIED TOLERANCES ARE AS FOLLOWS	
3 PLACE	± .005	---	---
2 PLACE	± .01	± 0.13	---
1 PLACE	---	± 0.25	---
DRAFTING: ME			
CHECKED: WZ			
SCALE: 4 : 1			
FILE NAME: S70104X2		DATE: 4/11/86	
PART NO.: 69032		DRAWING NO.: SD-70104-0003-0024	

REVISIONS ONLY ON CAD SYSTEM

HOUSING PANEL MOUNT (INTERIM CLIP TO OPT. 'G' HSG.)

MOLEX INCORPORATED SHEET NO. 2 DATE 4/11/86

FILE NAME: S70104X2

PART NO.: 69032

DRAWING NO.: SD-70104-0003-0024

NO DIMENSIONS CONTAINING INFORMATION THAT IS PROPRIETARY TO MOLEX INC. AND SHALL NOT BE USED WITHOUT WRITTEN PERMISSION.