

## Excellent Integrated System Limited

Stocking Distributor

Click to view price, real time Inventory, Delivery & Lifecycle Information:

[Molex Connector Corporation](#)  
[0050650204](#)

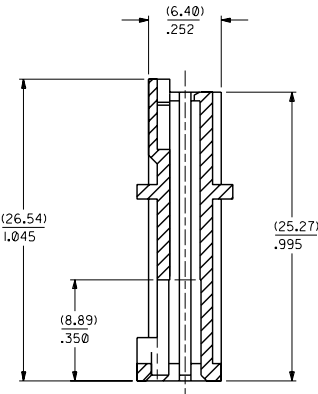
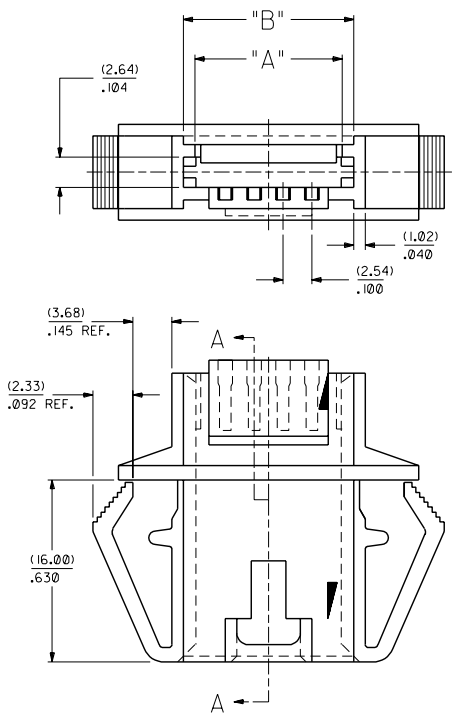
For any questions, you can email us directly:

[sales@integrated-circuit.com](mailto:sales@integrated-circuit.com)

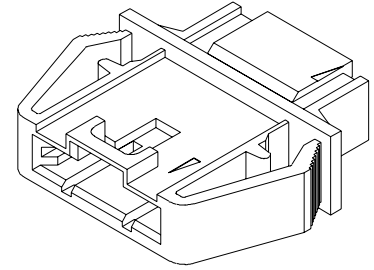
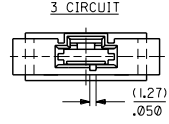
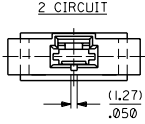
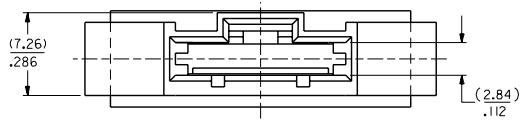
NOTES :

- 1) MATERIAL : POLYESTER, 94V-0  
COLOR : BLACK
- 2) SEE CHART FOR CIRCUIT SIZES .
- 3) HOUSING TO BE USED WITH 70400 SERIES HOUSING (OPTION 'G' & OPTION 'D').
- 4) PANEL THICKNESS (0.81)/.032 - (2.361)/.093
- 5) SEE SHEET 2 FOR MOUNTING HOLE DIMENSIONS .
- 6) PACKAGE PER PK-70018-100.

CKT. NO.	EDP. NO.	ENG. NO.	DIM. A	DIM. B
2	50-65-0202	70018-0001	(5.21) .205	(17.37) .680
3	50-65-0203	70018-0002	(7.51) .305	(19.31) .750
4	50-65-0204	70018-0003	(10.29) .405	(22.45) .880
5	50-65-0205	70018-0004	(12.83) .505	(24.99) .980
6	50-65-0206	70018-0005	(15.37) .605	(27.53) 1.080
7	50-65-0207	70018-0006	(17.91) .705	(30.07) 1.180
8	50-65-0208	70018-0007	(20.45) .805	(32.61) 1.280
9	50-65-0209	70018-0008	(22.99) .905	(35.15) 1.380
10	50-65-0210	70018-0009	(25.53) 1.005	(37.69) 1.480
11	50-65-0211	70018-0010	(28.07) 1.105	(40.23) 1.580
12	50-65-0212	70018-0011	(30.61) 1.205	(42.77) 1.680
13	50-65-0213	70018-0012	(33.15) 1.305	(45.31) 1.780
14	50-65-0214	70018-0013	(35.69) 1.405	(47.85) 1.880
15	50-65-0215	70018-0014	(38.23) 1.505	(50.39) 1.980
16	50-65-0216	70018-0015	(40.77) 1.605	(52.93) 2.080
17	50-65-0217	70018-0016	(43.31) 1.705	(55.47) 2.180
18	50-65-0218	70018-0017	(45.85) 1.805	(58.01) 2.280
19	50-65-0219	70018-0018	(48.39) 1.905	(60.55) 2.380
20	50-65-0220	70018-0019	(50.93) 2.005	(63.09) 2.480
21	50-65-0221	70018-0020	(53.47) 2.105	(65.63) 2.580
22	50-65-0222	70018-0021	(56.01) 2.205	(68.17) 2.680
23	50-65-0223	70018-0022	(58.55) 2.305	(70.71) 2.780
24	50-65-0224	70018-0023	(61.09) 2.405	(73.25) 2.880
25	50-65-0225	70018-0024	(63.63) 2.505	(75.79) 2.980



SECTION A-A



2	C
1	L
MFG. SH.	REV.

L	REDESIGNED LATCH ECN UDT2000-0790 KMS 00/2/24	H	REVISE INTERNAL RIBS & DIM. A PER ECR #9775 05/07/87 MJM/JAS.	DIMENSIONS SHOWN IN METRIC/INCH UNLESS OTHERWISE SPECIFIED TOLERANCES UNLESS NOTED	<table border="1"> <tr><td>3 PLACE</td><td>± .010</td><td>---</td></tr> <tr><td>2 PLACE</td><td>± .012</td><td>± 0.25</td></tr> <tr><td>1 PLACE</td><td>---</td><td>± 0.35</td></tr> </table>	3 PLACE	± .010	---	2 PLACE	± .012	± 0.25	1 PLACE	---	± 0.35	REVISIONS ONLY ON CAD SYSTEM HOUSING PANEL MOUNT (OPT. 'G' HSG. TO OPT. 'D' HSG.)
	3 PLACE		± .010			---									
2 PLACE	± .012	± 0.25													
1 PLACE	---	± 0.35													
K	ADD PKG NOTE ECN UDT2000-0468 SCHAFFER 99/12/1	G	REDRAWN ON CAD PER ECR # 9120 4/23/86 WZ	MOLEX INCORPORATED SHEET NO. 1 OF 2 DATE 4/10/86 PART NO. SD-70018-0001-0024 SEE CHART FILE NAME 510018K1.DWG THIS DRAWING CONTAINS INFORMATION THAT IS PROPRIETARY TO MOLEX INC. AND SHALL NOT BE USED WITHOUT WRITTEN PERMISSION.											
LTR.	REVISIONS	LTR.	REVISIONS	DRWG. BY ME APP'D. BY RL CHECKED BY WZ SCALE 4 : 1	NO P.S.	DA C									