

Excellent Integrated System Limited

Stocking Distributor

Click to view price, real time Inventory, Delivery & Lifecycle Information:

[Molex Connector Corporation](#)
[0050650207](#)

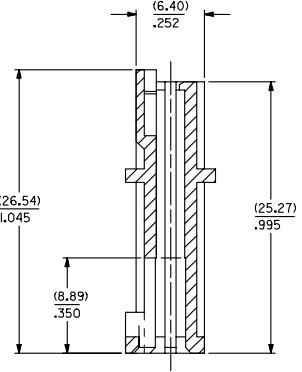
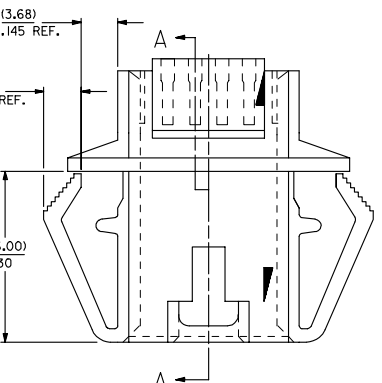
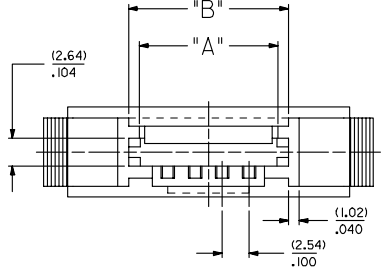
For any questions, you can email us directly:

sales@integrated-circuit.com

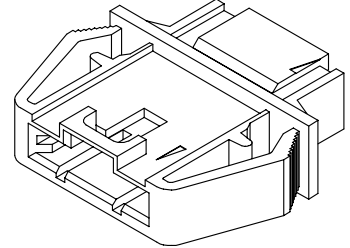
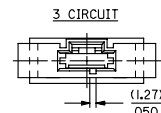
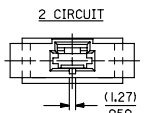
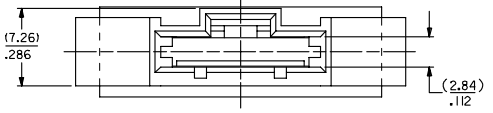
NOTES :

- 1) MATERIAL : POLYESTER, 94V-0
COLOR : BLACK
- 2) SEE CHART FOR CIRCUIT SIZES .
- 3) HOUSING TO BE USED WITH 70400 SERIES HOUSING (OPTION 'G' & OPTION 'D')
- 4) PANEL THICKNESS (0.81) / .032 - (2.36) / .093
- 5) SEE SHEET 2 FOR MOUNTING HOLE DIMENSIONS .
- 6) PACKAGE PER PK-70018-100.

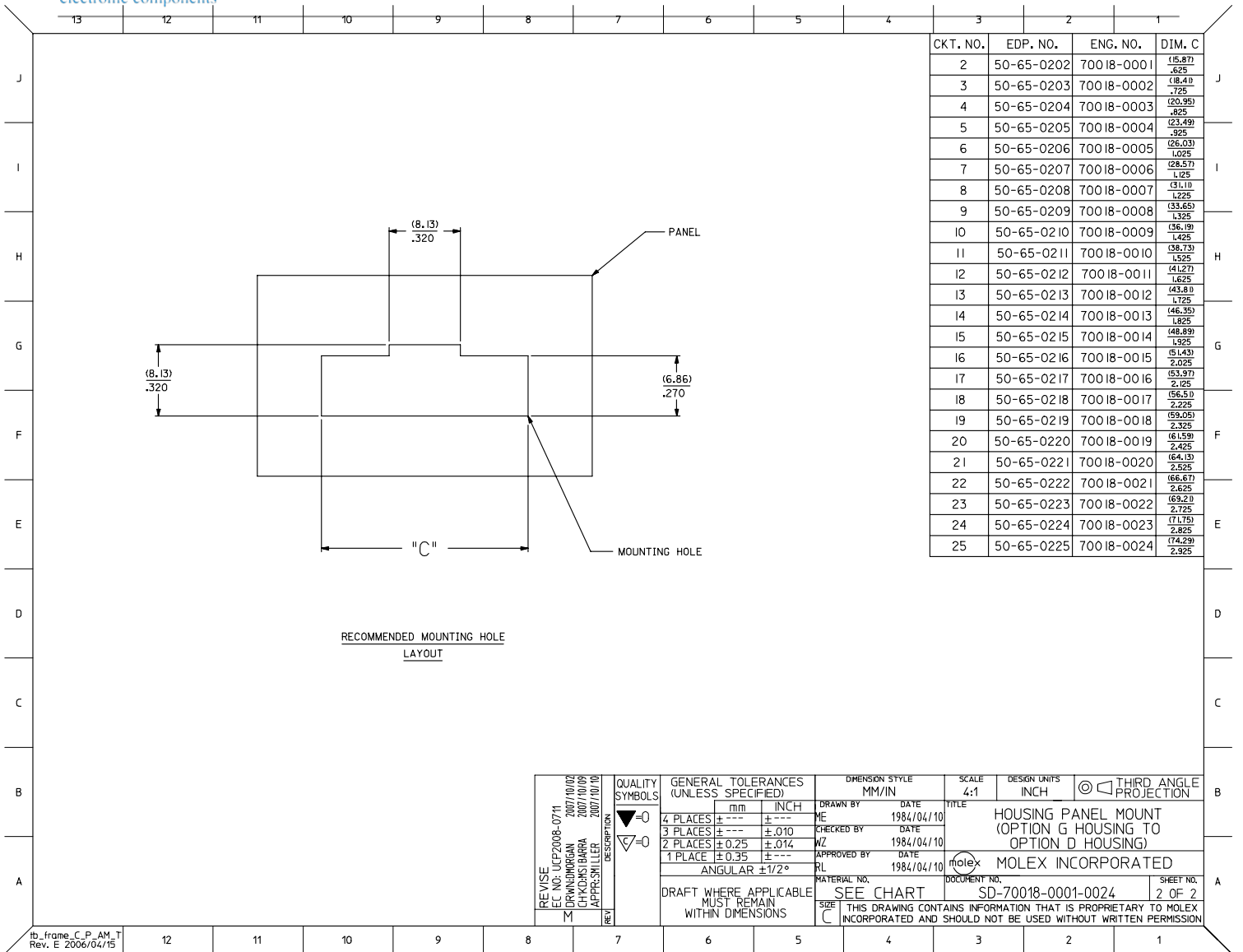
CKT. NO.	EDP. NO.	ENG. NO.	DIM. A	DIM. B
2	50-65-0202	70018-0001	(5.21) .205	(1.37) .290
3	50-65-0203	70018-0002	(7.75) .305	(19.31) .790
4	50-65-0204	70018-0003	(10.29) .405	(24.45) .990
5	50-65-0205	70018-0004	(12.83) .505	(34.99) 1.390
6	50-65-0206	70018-0005	(15.37) .605	(41.53) 1.690
7	50-65-0207	70018-0006	(17.91) .705	(48.07) 1.990
8	50-65-0208	70018-0007	(20.45) .805	(54.61) 2.190
9	50-65-0209	70018-0008	(22.99) .905	(61.15) 2.490
10	50-65-0210	70018-0009	(25.53) 1.005	(67.69) 2.690
11	50-65-0211	70018-0010	(28.07) 1.105	(74.23) 2.990
12	50-65-0212	70018-0011	(30.61) 1.205	(80.77) 3.190
13	50-65-0213	70018-0012	(33.15) 1.305	(87.31) 3.490
14	50-65-0214	70018-0013	(35.69) 1.405	(93.85) 3.690
15	50-65-0215	70018-0014	(38.23) 1.505	(100.39) 3.990
16	50-65-0216	70018-0015	(40.77) 1.605	(106.93) 4.190
17	50-65-0217	70018-0016	(43.31) 1.705	(113.47) 4.490
18	50-65-0218	70018-0017	(45.85) 1.805	(120.01) 4.690
19	50-65-0219	70018-0018	(48.39) 1.905	(126.55) 4.890
20	50-65-0220	70018-0019	(50.93) 2.005	(133.09) 5.090
21	50-65-0221	70018-0020	(53.47) 2.105	(139.63) 5.290
22	50-65-0222	70018-0021	(56.01) 2.205	(146.17) 5.490
23	50-65-0223	70018-0022	(58.55) 2.305	(152.71) 5.690
24	50-65-0224	70018-0023	(61.09) 2.405	(159.25) 5.890
25	50-65-0225	70018-0024	(63.63) 2.505	(165.79) 6.090



SECTION A-A



REVISE ILC NO: UCP2008-0711 2007/10/02 DRW:MDRGMAN CHK:KDRS/BAHRA 2007/10/09 APPR:SMILLER 2007/10/10	QUALITY SYMBOLS ▽=0 ▽=0	GENERAL TOLERANCES (UNLESS SPECIFIED)		DIMENSION STYLE MM/IN	SCALE INCH	DESIGN UNITS INCH	THIRD ANGLE PROJECTION		
		4 PLACES ± .010 ± .010	3 PLACES ± .010 ± .010	2 PLACES ± 0.25 ± .014	1 PLACE ± 0.35 ± .010	DRAWN BY ME DATE 1984/04/10	TITLE HOUSING PANEL MOUNT (OPTION G HOUSING TO OPTION D HOUSING)		
		ANGULAR ±1/2°				CHECKED BY WZ DATE 1984/04/10	APPROVED BY RL DATE 1984/04/10		
		DRAFT WHERE APPLICABLE MUST REMAIN WITHIN DIMENSIONS		MATERIAL NO. SEE CHART	DOCUMENT NO. SD-70018-0001-0024	MOLEX INCORPORATED		SHEET NO. 1 OF 2	



RECOMMENDED MOUNTING HOLE LAYOUT

REVISE ELC NO: UCF2008-0711 2007/10/02 DRWINGMORGAN 2007/10/09 CHKDRSIBARRA 2007/10/10 APPRSMILLER 2007/10/10	QUALITY SYMBOLS ▽=0 ▽=0	GENERAL TOLERANCES (UNLESS SPECIFIED)		DIMENSION STYLE MM/IN	SCALE 4:1	DESIGN UNITS INCH	THIRD ANGLE PROJECTION	
		4 PLACES ±--- ±---	DRAWN BY ME DATE 1984/04/10	TITLE HOUSING PANEL MOUNT (OPTION G HOUSING TO OPTION D HOUSING)				
		3 PLACES ±--- ±.010	CHECKED BY WZ DATE 1984/04/10	MOLEX INCORPORATED				
		2 PLACES ±0.25 ±.014 1 PLACE ±0.35 ±---	APPROVED BY RL DATE 1984/04/10	MATERIAL NO. SD-70018-0001-0024 DOCUMENT NO. 2 OF 2				
DRAFT WHERE APPLICABLE MUST REMAIN WITHIN DIMENSIONS		THIS DRAWING CONTAINS INFORMATION THAT IS PROPRIETARY TO MOLEX INCORPORATED AND SHOULD NOT BE USED WITHOUT WRITTEN PERMISSION						