

## Excellent Integrated System Limited

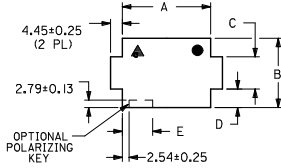
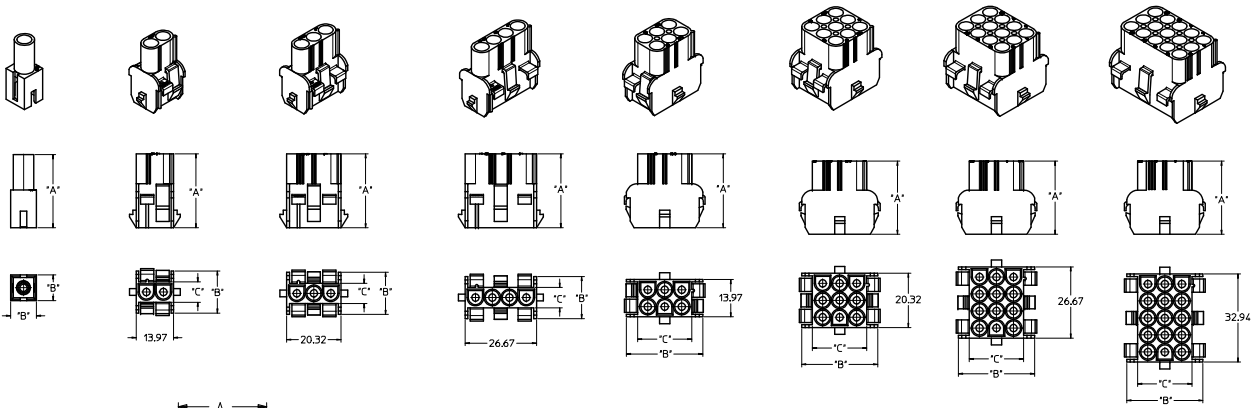
Stocking Distributor

Click to view price, real time Inventory, Delivery & Lifecycle Information:

[Molex Connector Corporation](#)  
[0050842092](#)

For any questions, you can email us directly:

[sales@integrated-circuit.com](mailto:sales@integrated-circuit.com)



**RECOMMENDED PANEL CUTOUT**  
PANEL THICKNESS: 0.76-2.29 (SEE NOTE 6)

CIRCUIT SIZE	DIMENSIONS				
	A±0.12	B±0.12	C±0.25	D±0.25	E±0.25
2	14.35	13.46	8.64	2.41	6.35
3	20.70	13.46	8.64	2.41	6.35
4	27.05	13.46	8.64	2.41	6.35
6	14.35	26.16	12.19	6.99	6.35
8	52.45	13.46	8.64	2.41	6.35
9	20.70	26.16	12.19	6.99	6.35
12	27.05	26.16	12.19	6.99	8.89
15	33.40	26.16	12.19	6.99	8.89

- ▲ - CIRCUIT #1 LOCATION WHEN USING POLARIZING KEY OPTION WITH 2, 3, 4 AND 8 CIRCUIT HOUSINGS.
- - OPTION WITH 6, 9, 12 AND 15 CIRCUIT HOUSINGS.

**NOTES:**

- 1) MATERIAL CODES:
  - \*A\* = PA66/6, V-2  
COLOUR: NATURAL-TRANSLUCENT
  - \*C\* = PA66/6, V-0  
COLOUR: NATURAL-OPAQUE
  - \*E\* = NYLON PA66, 94V-2  
COLOUR- BLACK (ZYTEL 101F)
- 2) UNLESS OTHERWISE INDICATED, DIMENSIONS ARE FOR REFERENCE ONLY.
- 3) CAP HOUSINGS MATE WITH :
  - PLUG HOUSINGS, 2.13 DIA. SERIES: (42021-\*\*)
- 4) HOUSINGS DESIGNED TO BE USED WITH TERMINALS:
  - PINS, 2.13 DIA. SERIES: (42023-\*\*\*\*)
  - SOCKETS, 2.13 DIA. SERIES: (42024-\*\*\*\*)
- 5) CONTACTS ARE ON 6.35 GRID CENTERLINE SPACING.
- 6) PANEL TO BE PUNCHED SO THAT THE HOUSING ENTERS THE PANEL OPPOSITE THE SIDE WITH THE BURR (I.E. OPPOSITE THE BREAK SIDE).
- 7) PRODUCT SPECIFICATION PS-42022-0001 APPLIES.
- 8) REFER DOCUMENT NO SD-36644-009 FOR GLOW WIRE COMPATIBLE PART NUMBERS.

QUALITY SYMBOLS	GENERAL TOLERANCES (UNLESS SPECIFIED)		DIMENSION STYLE		SCALE	DESIGN UNITS	THIRD ANGLE PROJECTION
	MIL	MILL	MM ONLY	INCH			
▽-0	4 PLACES	±---	MM	INCH	2:1	METRIC	①
▽-1	3 PLACES	±---	MM	INCH	1:1	METRIC	②
▽-2	2 PLACES	±---	MM	INCH	1:1	METRIC	③
▽-3	1 PLACE	±---	MM	INCH	1:1	METRIC	④
▽-4	0 PLACE	±---	MM	INCH	1:1	METRIC	⑤

Added PIN 5084-2092  
Date: 2014/02/06  
By: [signature]  
Checked: [signature]  
Released: [signature]

DRAWN BY: 87/11/15 DATE: 87/11/15 TITLED: HOUSING CAP .084/(2.13) DIA. SERIES	CHECKED BY: 87/11/15 DATE: 87/11/15 TITLED:	APPROVED BY: 87/11/15 DATE: 87/11/15 TITLED:
ANGLE: ±--- DRAFT: WHERE APPLICABLE MUST REMAIN WITH DIMENSIONS		REFERENCE NO: SEE SHEET 2 DOCUMENT NO: SD-42022-009 SHEET NO: 1 OF 2

**molex**

PART NO	CIRCUIT SIZE	MATERIAL (SEE NOTE 1)	DIM "A"	DIM "B"	DIM "C"
050-84-2010	1	A	27.70	9.65	---
050-84-2012	1	C			
366480021	1	E			
050-84-2020	2	A	27.70	15.75	7.62
050-84-2022	2	C			
366480022	2	E			
050-84-2030	3	A	27.70	15.75	7.62
050-84-2032	3	C			
366480023	3	E			
050-84-2040	4	A	27.70	15.75	7.62
050-84-2042	4	C			
366480024	4	E			
050-84-2060	6	A	27.70	28.45	20.32
050-84-2062	6	C			
366480025	6	E			
050-84-2090	9	A	27.70	28.45	20.32
050-84-2092	9	C			
366480026	9	E			
050-84-2120	12	A	27.70	28.45	20.32
050-84-2122	12	C			
366480027	12	E			
050-84-2150	15	A	27.70	28.45	20.32
050-84-2152	15	C			
366480028	15	E			

QUALITY SYMBOLS	GENERAL TOLERANCES (UNLESS SPECIFIED)		DIMENSION STYLE		SCALE	DESIGN INFO	THIRD ANGLE PROJECTION		
	mm	INCH	MM ONLY	INCH					
▽-0	4 PLACES ±---	±---	DRY	DATE 8/11/15		HOUSING CAP	0		
▽-0	3 PLACES ±---	±---	CHEK	DATE 8/11/15		.084/(2.13) DIA. SERIES	0		
▽-0	2 PLACES ±0.25	±---	ENP	DATE 8/11/15			0		
▽-0	1 PLACE ±0.50	±---	ENP	DATE 8/11/15			0		
▽-0	0 PLACE ±---	±---	ENP	DATE 8/11/15			0		
	ANGULAR ±---	±---	SEE CHART	DATE 8/11/15			0		
DRAFT: WHERE APPLICABLE, MUST BE DRAWN WITH DIMENSIONS				PARTS NO.		DOCUMENT NO.		SHEET NO.	
				11		SD-42022-M		2 OF 2	