



Distributor of Molex Connector Corporation: Excellent Integrated System Limited
Datasheet of 0051251032 - D-Sub Connector Plug, Male Pins 160 Position Panel Mount,
Through Hole Solder

Contact us: sales@integrated-circuit.com Website: www.integrated-circuit.com

Excellent Integrated System Limited

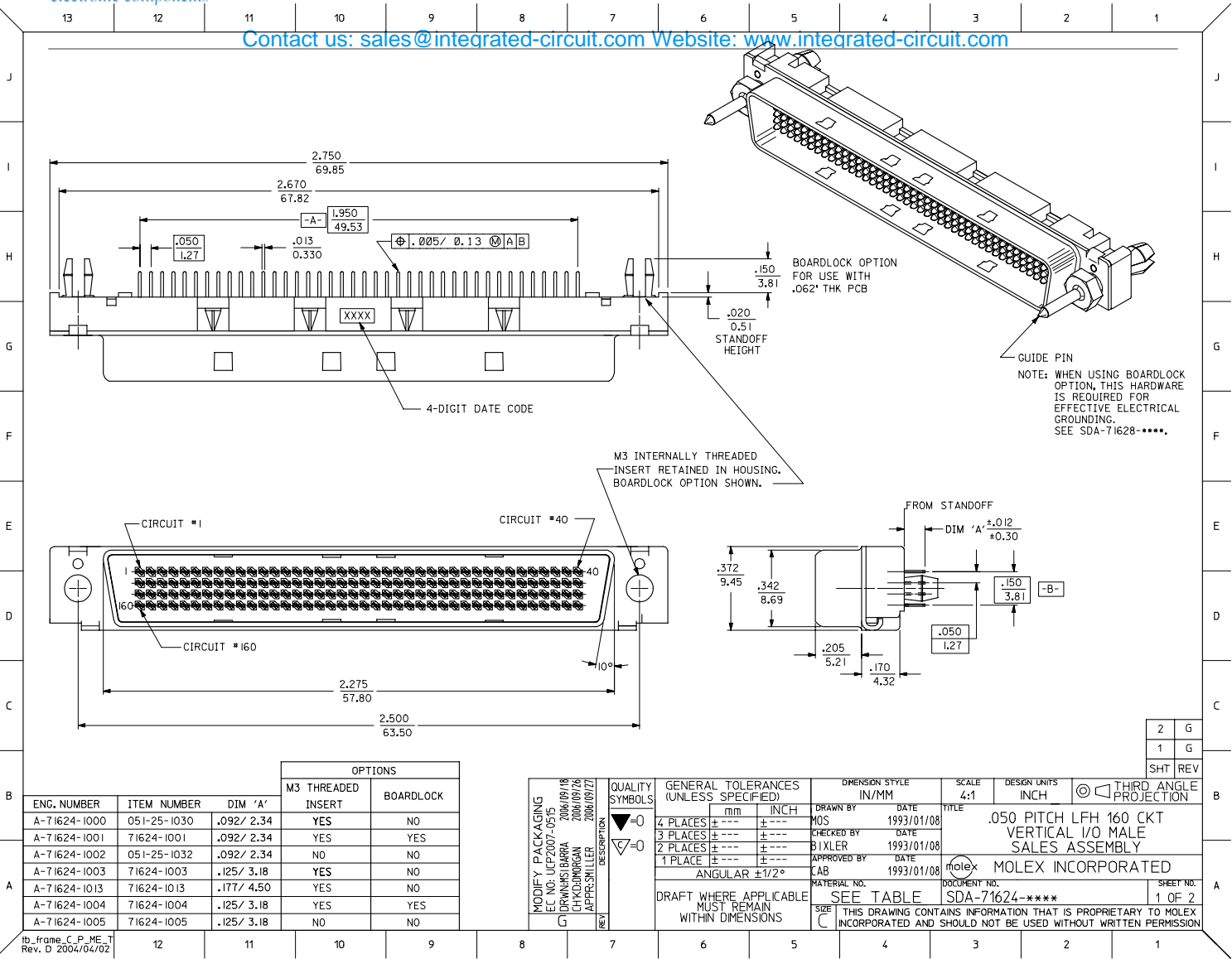
Stocking Distributor

Click to view price, real time Inventory, Delivery & Lifecycle Information:

[Molex Connector Corporation](#)
[0051251032](#)

For any questions, you can email us directly:
sales@integrated-circuit.com

Contact us: sales@integrated-circuit.com Website: www.integrated-circuit.com



ENG. NUMBER	ITEM NUMBER	DIM 'A'	OPTIONS	
			M3 THREADED INSERT	BOARDLOCK
A-71624-1000	051-25-1030	.092/ 2.34	YES	NO
A-71624-1001	71624-1001	.092/ 2.34	YES	YES
A-71624-1002	051-25-1032	.092/ 2.34	NO	NO
A-71624-1003	71624-1003	.125/ 3.18	YES	NO
A-71624-1013	71624-1013	.177/ 4.50	YES	NO
A-71624-1004	71624-1004	.125/ 3.18	YES	YES
A-71624-1005	71624-1005	.125/ 3.18	NO	NO

ib_frame_C_P_ME_T
Rev. D 2004/04/02

MODIFY PACKAGING
EC NO: UCF2007-0515
2006/09/18
DRWING BARRA
LH KUDIRANGAN
2006/09/26
APPROX MILLER
2006/09/27

QUALITY SYMBOLS
▽=0
▽=0

GENERAL TOLERANCES (UNLESS SPECIFIED)		DIMENSION STYLE	SCALE	DESIGN UNITS	THIRD ANGLE PROJECTION
PLACES	TOLERANCE	IN/MM	4:1	INCH	
4 PLACES	± .005 / ± .13	IN/MM			
3 PLACES	± .005 / ± .13				
2 PLACES	± .005 / ± .13				
1 PLACE	± .005 / ± .13				
ANGULAR ±1/2°					
DRAFT WHERE APPLICABLE MUST REMAIN WITHIN DIMENSIONS					
MATERIAL NO.		DRAWN BY		DATE	
SEE TABLE		MOS		1993/01/08	
DOCUMENT NO.		CHECKED BY		DATE	
SDA-71624-****		BIXLER		1993/01/08	
SHEET NO.		APPROVED BY		DATE	
1 OF 2		CAB		1993/01/08	
THIS DRAWING CONTAINS INFORMATION THAT IS PROPRIETARY TO MOLEX INCORPORATED AND SHOULD NOT BE USED WITHOUT WRITTEN PERMISSION					

2	G
1	G
SHT	REV

Contact us: sales@integrated-circuit.com Website: www.integrated-circuit.com

NOTES:

1) MATERIALS:

HOUSING: GLASS FILLED LCP (LIQUID CRYSTAL POLYMER), UL 94V-0, BLACK.
MOLDED STICK: GLASS FILLED LCP (LIQUID CRYSTAL POLYMER), UL94V-0, BLACK.
MALE CONTACT: PHOS. BRONZE .012±.0005 THICK.
OUTER SHELL: LOW CARBON STEEL.
THREADED BOARD LOCK: BRASS

2) PLATING :

TERMINAL: .000030/ 0.00076 MINIMUM GOLD IN SELECTIVE AREA;
.000100/ 0.00254 MINIMUM TIN IN SELECTIVE AREA;
OVER NICKEL UNDERPLATE OVERALL.

OUTER SHELL: .000100/ 0.00254 MINIMUM BRIGHT NICKEL
OVER COPPER FLASH OPTIONAL.

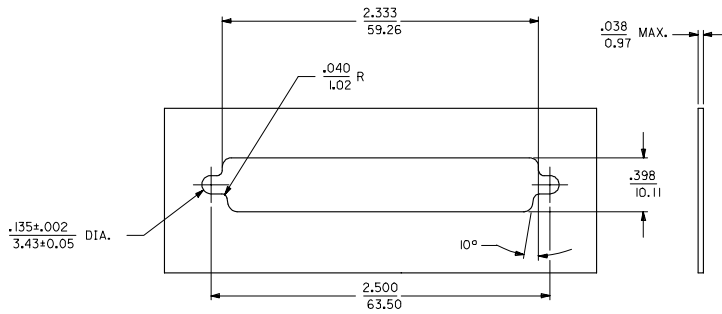
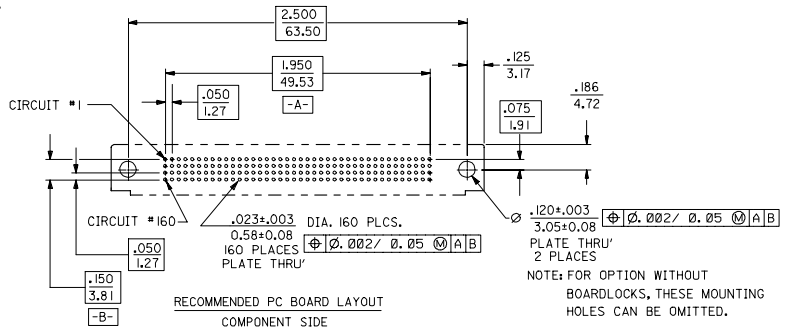
BOARDLOCK: .000150-.000200/ 0.00381-0.00508 TIN
OVER .000050/ 0.00127 MINIMUM NICKEL.

3) THIS PART CONFORMS TO MOLEX PRODUCT SPECIFICATION PS-71626.

4) PACKAGING SPECIFICATION PK-70873-297 APPLIES.

NOTE FOR LEAD FREE CONVERSION:

THE PRIMARY SHIPPING CARTON WILL BE
LABELED 'COMPLIANT TO ROHS DIRECTIVE
2002/95/EC AND ELV ANNEX II OF
DIRECTIVE 2000/53/EC'. CARTONS
WITHOUT THIS LABEL MAY CONTAIN
PRODUCT WITH LEAD.



PANEL CUT-OUT DIMENSIONS
ALL TOLERANCES ±.003/ 0.08
UNLESS OTHERWISE STATED.

REV	DESCRIPTION	QUALITY SYMBOLS	GENERAL TOLERANCES (UNLESS SPECIFIED)		DIMENSION STYLE		SCALE	DESIGN UNITS	THIRD ANGLE PROJECTION
			mm	INCH	IN/MM	INCH			
G	MODIFY PACKAGING EC NO: UCF2007-0515 2006/09/18 DRWING BARBA 2006/09/16 CH KUDIRJAN APPR: MILLER 2006/09/17	▽=0	4 PLACES ±	±	SCHMIDGALL	DATE 1993/01/08	2:1	INCH	THIRD ANGLE PROJECTION
		▽=0	3 PLACES ±	±	CHECKED BY BIXLER	DATE 1993/01/08			
			2 PLACES ±	±	APPROVED BY CAB	DATE 1993/01/08	TITLE: .050 PITCH LFH 160 CKT VERTICAL I/O MALE SALES ASSEMBLY		
			1 PLACE ±	±	ANGULAR ±1/2°		MATERIAL NO. MOLEX INCORPORATED		
DRAFT WHERE APPLICABLE MUST REMAIN WITHIN DIMENSIONS			SEE TABLE		DOCUMENT NO. SDA-71624-****		SHEET NO. 2 OF 2		
THIS DRAWING CONTAINS INFORMATION THAT IS PROPRIETARY TO MOLEX INCORPORATED AND SHOULD NOT BE USED WITHOUT WRITTEN PERMISSION									