

Excellent Integrated System Limited

Stocking Distributor

Click to view price, real time Inventory, Delivery & Lifecycle Information:

[Molex Connector Corporation](#)
[0089002025](#)

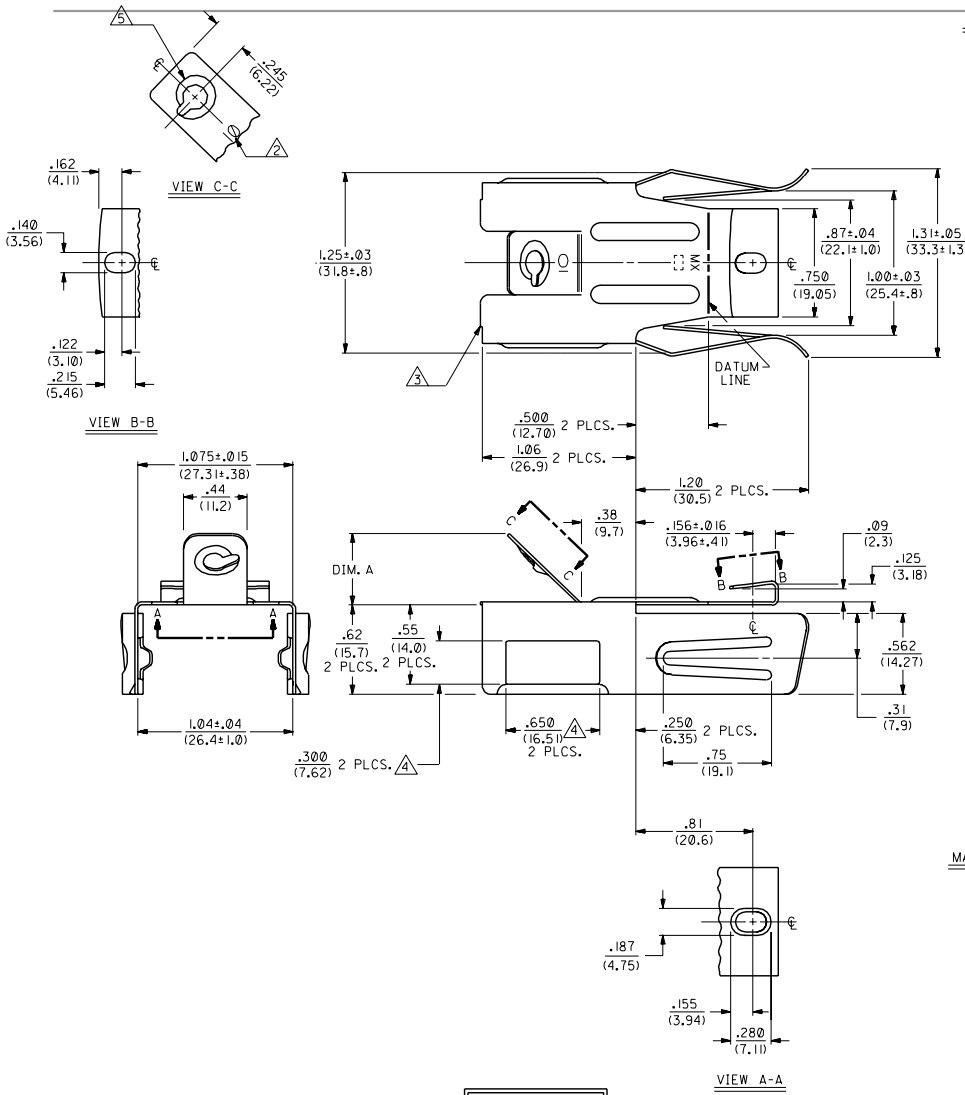
For any questions, you can email us directly:

sales@integrated-circuit.com

2589

NOTES:

1. THESE MOUNTING CLIPS ARE FOR HOLDING THE 2481 SERIES HOUSINGS TO THE MAIN PANEL TOPS OF ELECTRIC RANGES.
- ▲ SCREW SIZE INDICATION.
- ▲ .015/(.38) MAXIMUM CUT OFF.
- ▲ .010/(.25) MAXIMUM MISMATCH.
- ▲ THREAD FORM FOR A #10-32 SCREW.
- ▲ THIS SURFACE MAY BE FORMED IN THIS DIRECTION A MAXIMUM OF 5°.



2589-ID-10

MATERIAL:

STEEL, STAINLESS, TYPE 301, .020/(.51) THICK.

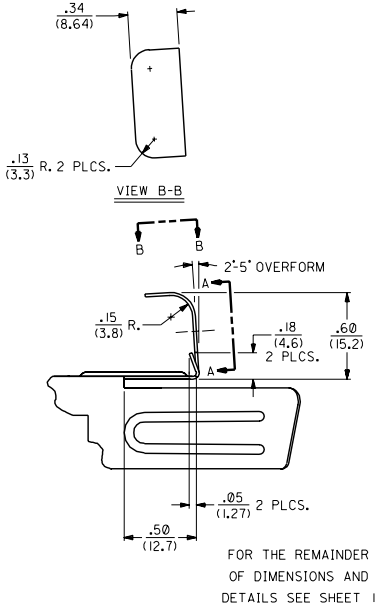
AC	OBSOLETE P/N	UCR2002-0255	01/31/92	COMERCI
AB2	REMOVED NOTCH	UCR2000-0104	8/11/99	COMERCI
AB1	REV. RADII	UCR2000-0086	8/05/99	COMERCI
AB	REVISED	UCR 1999-0818	6/03/99	ELHAG
AA	REVISED	ECN 14 0744	6/16/94	RHR
Z	REVISED	ECN 14 0213	2/14/94	RHR
Y	REVISED	ECN 14 0739	5/13/93	RHR
X	REDRAWN & REDIM.	ECN 02 1712	11/25/92	RHR
AC	REV.			REVISIONS

DIMENSIONS SHOWN IN METRIC INCH		UNLESS OTHERWISE SPECIFIED TOLERANCES ARE AS FOLLOWS		REVISIONS	
3 PLACES ±	0.10	---	---	3	AB
2 PLACES ±	0.12	±	0.25	2	Z
1 PLACE	---	±	0.35	1	AC
DRAFT WHEN APPLICABLE MUST REMAIN WITHIN DIMENSIONS				MFG. SH. REV. LTR.	
DRAWN: RHR				MFG. SH. REV. LTR.	
CHECKED: ESS				MFG. SH. REV. LTR.	
APP'D: RAS				MFG. SH. REV. LTR.	
SCALE: 2:1				MFG. SH. REV. LTR.	
FILE NAME: SD2589X1				MFG. SH. REV. LTR.	
DRAWING NO.: SD-2589-*				MFG. SH. REV. LTR.	
SHEET 3 OF 3				MFG. SH. REV. LTR.	
DATE: 11/20/92				MFG. SH. REV. LTR.	

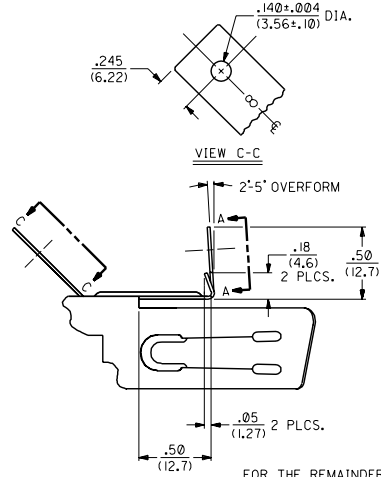
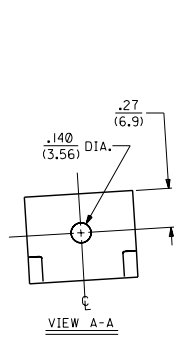
3	AB		
2	Z		
1	AC		

MOUNTING CLIP		SHEET NO. DATE	
MOLEX INCORPORATED		1 of 3 11/20/92	
PART NO. SD-2589-*		DRAWING NO.	
SEE SHEET 3		NO. OF SHEETS	
2589		NO. OF SHEETS	

PART NO.	ENG. NO.	DIMENSION	
089-00-2006	2589-ID-10	.48±.025 (12.2±.64)	
089-00-2022	2589-2C	.53±.025 (13.5±.64)	
089-00-2025	2589-2H	.656±.025 (16.66±.64)	
089-00-2027	2589-2J-10	.562±.025 (14.27±.64)	
089-00-2041	2589-3B	.48±.025 (12.2±.64)	
089-00-2047	2589-6F	.375±.015 (9.53±.38)	
089-00-2100	2589-10C	.48±.025 (12.2±.64)	
089-00-2101	2589-21A	.62±.025 (15.7±.64)	OBSOLETE
089-00-2103	2589-23	.62±.025 (15.7±.64)	



2589-23



2589-21A **OBSOLETE**

AA	SEE SHEET I	DIMENSIONS SHOWN (METRIC) INCH UNLESS OTHERWISE SPECIFIED TOLERANCES ANGLES 1° DIMS 5'	REVISIONS	REV. 0	DATE	2/24/93	TITLE	MOUNTING CLIP
Z	SEE SHEET I	INCH METRIC 3 PLACE ± .010 --- 2 PLACE ± .014 ± 0.25 1 PLACE --- ± 0.35	REV. 1	DATE				
AB	SEE SHEET I	DRAW. BY: RHR APP'D: RAS	REV. 2	DATE				
LTR.	REVISIONS	SCALE 2:1	REV. 3	DATE				
LTR.	REVISIONS	ESS	REV. 4	DATE				
			REV. 5	DATE				
			REV. 6	DATE				
			REV. 7	DATE				
			REV. 8	DATE				
			REV. 9	DATE				
			REV. 10	DATE				
			REV. 11	DATE				
			REV. 12	DATE				
			REV. 13	DATE				

MOLEX INCORPORATED SHEET NO. 3 DATE 2/24/93
 SEE CHART SD-2589-*