



Distributor of Panduit: Excellent Integrated System Limited

Datasheet of DNF18-205-C - Connector Quick Connect Receptacle 18-22 AWG 0.187" (4.75mm), 0.205" (5.21mm) Crimp

Contact us: sales@integrated-circuit.com Website: www.integrated-circuit.com

Excellent Integrated System Limited

Stocking Distributor

Click to view price, real time Inventory, Delivery & Lifecycle Information:

[Panduit](#)

[DNF18-205-C](#)

For any questions, you can email us directly:

sales@integrated-circuit.com



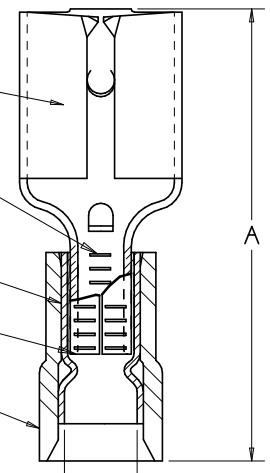
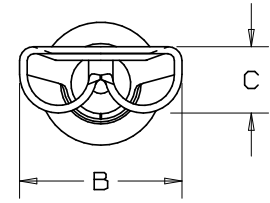
Distributor of Panduit: Excellent Integrated System Limited

Datasheet of DNF18-205-C - Connector Quick Connect Receptacle 18-22 AWG 0.187" (4.75mm), 0.205" (5.21mm) Crimp

THIS COPY IS PROVIDED ON A RESTRICTED BASIS AND IS NOT TO BE USED IN ANY WAY DETRIMENTAL TO THE INTERESTS OF PANDUIT CORP.

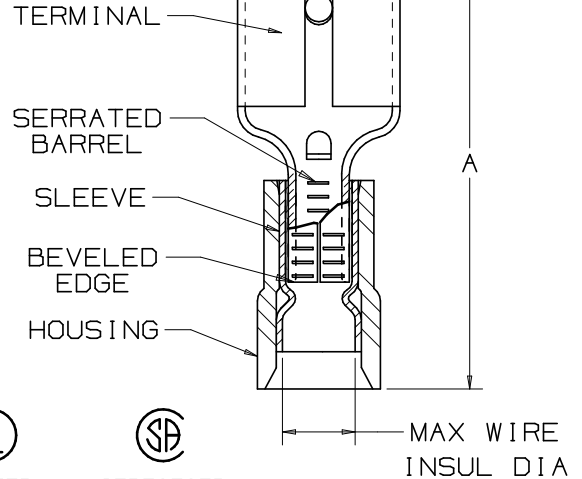
Contact us: sales@integrated-circuit.com Website: www.integrated-circuit.com

PART NUMBER		TAB SIZE	WIRE RANGE AWG (mm ²)	HOUSING COLOR	MAX INSUL DIA	DIMENSIONS In		
PREFIX	PKG					A $\pm .03$ (0.8)	B $\pm .01$ (0.3)	C $\pm .01$ (0.3)
DNF18-205	-C -M	.187/.205 X .032 (4.8/5.2 X 0.8)	22-18 (.5-1.0)	RED	.137 (3.48)	.76 (19.3)	.25 (6.4)	.12 (3.0)
DNF14-205	-C -M	.187/.205 X .032 (4.8/5.2 X 0.8)	16-14 (1.5-2.5)	BLUE	.162 (4.11)	.76 (19.3)	.25 (6.4)	.12 (3.0)



NOTES:

- UL LISTED AND CSA CERTIFIED FOR:
 - A. 300V. MAX. VOLTAGE RATING
 - B. STRANDED COPPER WIRE ONLY
 - C. 194° F (90° C) MAX. TEMP. RATING
- PACKAGE QTY: STD. PKG. -C= 100
BULK PKG. -M= 1000
- MATERIAL:
 - A. STAMPING: .016 (0.41) THK BRASS, TIN PLATED
 - B. SLEEVE: BRASS, TIN PLATED
 - C. HOUSING: NYLON
- WIRE STRIP LENGTH 9/32 $\frac{+1/32}{-0}$ (7.1 $\frac{+0.8}{-0}$)
- INITIAL INSERTION FORCE - 12 LB. (53 N) MAX
INITIAL WITHDRAWAL FORCE - 12 LB. (53 N) MAX
6 LB. (27 N) MIN
- INSTALLATION TOOLS:
 - A. UL LISTED AND CSA CERTIFIED: CT-500
 - B. PANDUIT APPROVED: CT-100, CT-160, CT-260, CT-400, CT-460 (DNF14-187 ONLY), CT-550, CT-1550, CT-1551.
- DIMENSIONS IN BRACKETS ARE IN MILLIMETERS OR mm²



LISTED
20H3
E78522



CERTIFIED
LR31212

A41585_03

03	2/07	DAW	DAW	ADDED DUAL TAB SIZE INFORMATION	TR00210	LCA	TRO	 TINLEY PARK, ILLINOIS NYLON INSULATED FEMALE DISCONNECT, FUNNELED WIRE ENTRY (.205 SERIES)
02	7/03	KLFU	SKB	ADDED INTERNAL SERRATIONS REMOVED SLOTS	12453	SKB	TRO	
01	1/01	RM	SKB	FILESPEC WAS N41585AA_PCD_00	8933	JAC	CCH	
00	1/96	ED		RELEASED	03870			
REV	DATE	BY	CHK	DESCRIPTION	ECN #	CUST	PM	DRAWN BY: EJD CHK'D: SCALE: NONE DRAWING NO.: A41585