



**Distributor of Panduit: Excellent Integrated System Limited**

Datasheet of DV10-250-L - Connector Quick Connect Receptacle 10-12 AWG 0.250" (6.35mm)  
Crimp

Contact us: [sales@integrated-circuit.com](mailto:sales@integrated-circuit.com) Website: [www.integrated-circuit.com](http://www.integrated-circuit.com)

---

## **Excellent Integrated System Limited**

Stocking Distributor

Click to view price, real time Inventory, Delivery & Lifecycle Information:

[Panduit](#)

[DV10-250-L](#)

For any questions, you can email us directly:

[sales@integrated-circuit.com](mailto:sales@integrated-circuit.com)

THIS COPY IS PROVIDED ON A RESTRICTED BASIS AND IS NOT TO BE USED IN ANY WAY DETRIMENTAL TO THE INTERESTS OF PANDUIT CORP.

Contact us: [sales@integrated-circuit.com](mailto:sales@integrated-circuit.com) Website: [www.integrated-circuit.com](http://www.integrated-circuit.com)

PART NUMBER	TAB SIZE	WIRE RANGE AWG	COLOR	MAX. INSUL.	DIMENSIONS in.		
					A ±.03	B ±.01	C ±.01
DV10-250	.250 X .032	12-10	YELLOW	.229 (5.82)	1.03 (26.16)	.30 (7.62)	.13 (3.30)

**NOTES:**

- UL RECOGNIZED AND CSA CERTIFIED FOR:
  - 600V MAX VOLTAGE RATING
  - 194°F (90°C) MAX TEMP RATING
  - STRANDED COPPER WIRE ONLY
  - 6-12 LBS INITIAL INSERTION/WITHDRAWAL FORCE

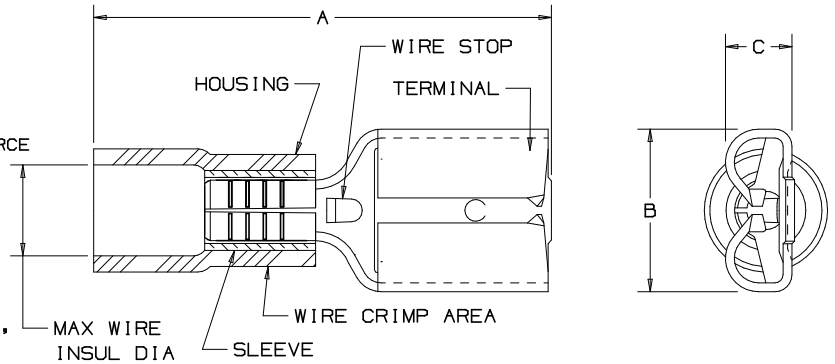
- MATERIAL:
  - STAMPING-BRASS, TIN PLATED
  - HOUSING-VINYL
  - SLEEVE-BRASS, TIN PLATED

- DIMENSIONS IN BRACKETS ARE IN mm OR mm<sup>2</sup>

- INSTALLATION TOOLS: UL/CSA: CT-550, CT-1551, CT-1550  
PANDUIT RECOMMENDED: CT-100, CT-160, CT-260, CT-460

- PACKAGE QTY: -L=50  
-D=500

- WIRE STRIP LENGTH: 9/32 <sup>+1/32</sup> <sub>-0</sub> (7.1 <sup>+0.8</sup> <sub>0</sub>)



CERTIFIED  
LR31212



RECOGNIZED  
E78522

A41199\_06

06	6/06	DAW	DAW	REMOVED MAX. AMPERAGE NOTE			
05	7/03	KLFU	SKB	ADDED INTERNAL SERRATIONS	12453	SKB	TRO
04	1/01	KMD	SKB	CAD FILE SPEC. WAS N41199AA_PCD_03	8938	JAC	CCH
03	5/99	JKD		ADDED CT-1551 & CT-1550 TOOLS	07642		
02	3/95	MS	RLS	UPDATED NOTES AND DIMENSIONS	03048	LA	JB
REV	DATE	BY	CHK	DESCRIPTION	ECN #	CUST	PM

**PANDUIT** CORP.

TINLEY PARK, ILLINOIS

FEMALE DISCONNECTS, VINYL INSULATED  
.250 X .032

DRAWN BY: FES    CHK'D: RLS    SCALE: NONE    DRAWING NO.: A41199