



**Distributor of Panduit: Excellent Integrated System Limited**

Datasheet of DV10-250M-L - Connector Quick Connect Tab 10-12 AWG 0.250" (6.35mm)  
Crimp

Contact us: [sales@integrated-circuit.com](mailto:sales@integrated-circuit.com) Website: [www.integrated-circuit.com](http://www.integrated-circuit.com)

---

## **Excellent Integrated System Limited**

Stocking Distributor

Click to view price, real time Inventory, Delivery & Lifecycle Information:

[Panduit](#)

[DV10-250M-L](#)

For any questions, you can email us directly:

[sales@integrated-circuit.com](mailto:sales@integrated-circuit.com)

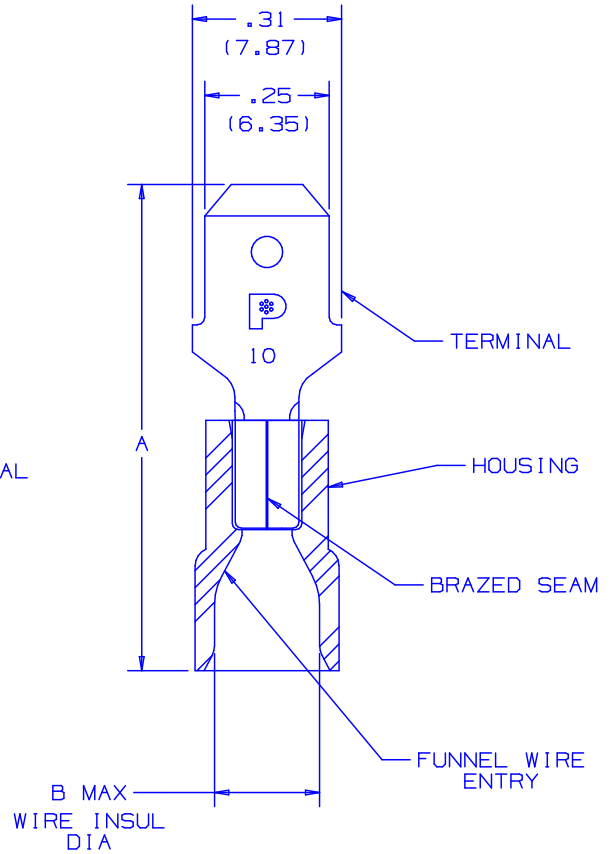
THIS COPY IS PROVIDED ON A RESTRICTED BASIS AND IS NOT TO BE USED IN ANY WAY DETRIMENTAL TO THE INTERESTS OF PANDUIT CORP.

PANDUIT PART NUMBER	WIRE RANGE	COLOR CODE	DIMENSIONS in.	
			A <sup>+0.05</sup>	B
DV10-250M	12-10	YELLOW	0.98 (24,9)	.235 (5,97)

Crmp  
 Contact us: [sales@integrated-circuit.com](mailto:sales@integrated-circuit.com) Website: [www.integrated-circuit.com](http://www.integrated-circuit.com)

**NOTES :**

- USE FOR:
  - STRANDED COPPER WIRE ONLY
  - 194°F (90°C) MAX TEMP RATING OF INSULATION MATERIAL
  - 600V MAX VOLTAGE RATING
- MATERIAL :
  - STAMPING - .032" THK COPPER, NICKEL PLATED
  - HOUSING - VINYL
- DIMENSIONS IN BRACKETS ARE IN MILLIMETERS
- INSTALLATION TOOLS : CT-100, CT-260, CT-550
- PKG QTY. -L=50  
-D=500
- WIRE STRIP LENGTH:  $9/32^{+1/32}_{-0}$  (7,1  $^{+.8}_{-0}$ )



A41195\_05

05	11/04	KLFU		ADDED #10				 TINLEY PARK, ILLINOIS
04	1/01	KMDSKB		CAD FILE SPEC. WAS N41195AA_PCD_03	8938	JAC	CCH	
03	10/98	JD		MATERIAL WAS TIN PLATED	07642			
02	6/95	MS	LM	UPDATED NOTES AND DIMENSIONS	03404	LA	DH	
2PC. VINYL INSULATED, 12-10, 250 X .032 MALE TAB								
REV	DATE	BY	CHK	DESCRIPTION	ECN#	CUST	ELB	DRAWN BY FES CHK'D SCALE NONE DRAWING NO. A41195