



**Distributor of Panduit: Excellent Integrated System Limited**

Datasheet of DV14-250MB-C - Connector Quick Connect Tab 14-16 AWG 0.250" (6.35mm)  
Crimp

Contact us: [sales@integrated-circuit.com](mailto:sales@integrated-circuit.com) Website: [www.integrated-circuit.com](http://www.integrated-circuit.com)

---

## **Excellent Integrated System Limited**

Stocking Distributor

Click to view price, real time Inventory, Delivery & Lifecycle Information:

[Panduit](#)

[DV14-250MB-C](#)

For any questions, you can email us directly:

[sales@integrated-circuit.com](mailto:sales@integrated-circuit.com)



**Distributor of Panduit: Excellent Integrated System Limited**

Datasheet of DV14-250MB-C - Connector Quick Connect Tab 14-16 AWG 0.250" (6.35mm)

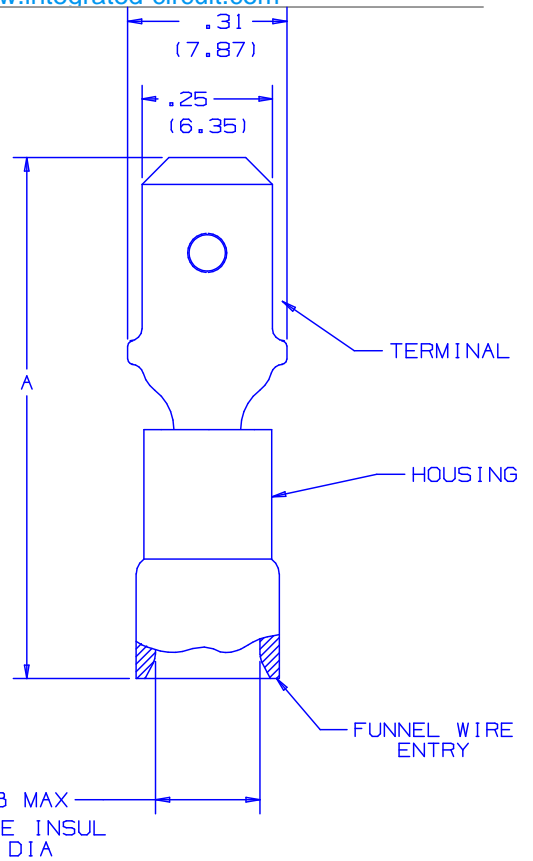
THIS COPY IS PROVIDED ON A RESTRICTED BASIS AND IS NOT TO BE USED IN ANY WAY DETRIMENTAL TO THE INTERESTS OF PANDUIT CORP.

PANDUIT PART NUMBER		WIRE RANGE	COLOR CODE	DIMENSIONS in.	
PREFIX	PK			A	B
DV18-250MB	-C -M -MY	22-18	RED	.98 (24.9)	.154 (3.91)
DV14-250MB	-C -M	16-14	BLUE	.96 (24.3)	.180 (4.57)

Crimp  
 Contact us: sales@integrated-circuit.com Website: www.integrated-circuit.com

NOTES :

- CSA CERTIFIED FOR :  
 A. 600 V MAX. VOLTAGE RATING  
 B. 221°F (105°C) MAX. TEMP. RATING  
 C. STRANDED COPPER WIRE ONLY
- MATERIAL :  
 A. STAMPING - .031" THK COPPER, NICKEL PLATED  
 B. HOUSING - VINYL
- DIMENSIONS IN BRACKETS ARE IN MILLIMETERS
- INSTALLATION TOOLS : CT-500, CT-550, CT-1551, CT-1550
- PACKAGE QTY. : -C=100  
 -M=1000, -MY=1000



CERTIFIED LR31212

05	5/05	JHNU		ADDED PACKAGING CODE "MY" TO DRAWING.			
04	1/01	RM	SKB	FILESPEC WAS N41405AA_PCD_03	08925	JAC	CCH
03		JD		ADDED CT-1551 & CT-1550 TOOLS	07634		
02	1/95	MS	LM	UPDATED NOTES AND DIMENSIONS	02947	DH	TFKE
01	1/90	DL	LM	REVISED DWG. TO CURRENT DESIGN WITH LESS MAT'L IN TRANSITION AREA		DH	LM
REV	DATE	BY	CHK	DESCRIPTION	ECN #	CUST	PM

A41405\_05



TINLEY PARK, ILLINOIS

2PC. VINYL INSULATED,  
 .250 MALE TABS

DRAWN BY	CHK'D	SCALE	DRAWING NO.
JP	LM	NONE	A41405