

## Excellent Integrated System Limited

Stocking Distributor

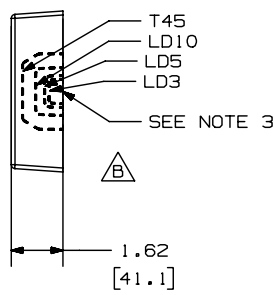
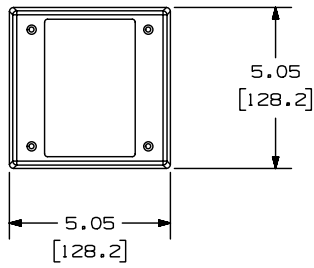
Click to view price, real time Inventory, Delivery & Lifecycle Information:

[Panduit](#)  
[JBP2IW](#)

For any questions, you can email us directly:

[sales@integrated-circuit.com](mailto:sales@integrated-circuit.com)

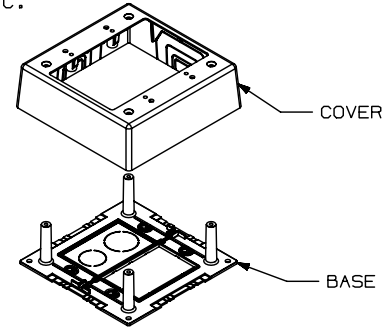
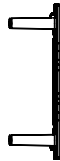
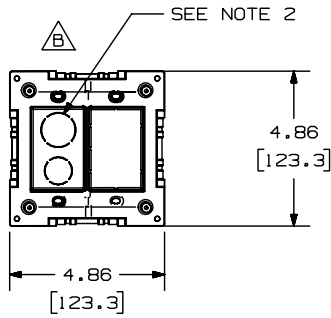
THIS COPY IS PROVIDED ON A RESTRICTED BASIS AND IS NOT TO BE USED IN ANY WAY DETRIMENTAL TO THE INTERESTS OF PANDUIT CORP.



PANDUIT P/N	WEIGHT
JBP2	2.4 LB/10 PCS (1089 g/10 PCS)

NOTES:

1. SEE CURRENT CATALOG FOR ADDITIONAL PART SUFFIXES TO INDICATE COLOR AND OR PACKAGE QUANTITY.
2. CONCENTRIC BREAKOUTS TO ACCOMMODATE CONDUIT SIZES OF 1/2" AND 3/4" DIAMETERS.
3. BREAKOUTS ARE PROVIDED ON ALL FOUR SIDES OF COVER.
4. DIMENSIONS IN PARENTHESES ARE IN METRIC.



CAD FILENAME/LAYERS D35677BF\_DC\_JBP2\_02

**PANDUIT** CORP. TINLEY PARK, ILLINOIS

PAN-WAY 2 GANG SHALLOW  
JUNCTION BOX (JBP2)  
CUSTOMER DRAWING

UNLESS OTHERWISE SPECIFIED,  
DIMENSIONAL TOLERANCES ARE:  
(.X) ± (.XXX) ±  
(.XX) ± (.030(.8) ANGLES ±

UNLESS OTHERWISE SPECIFIED,  
ALL DIMENSIONS ARE GIVEN  
IN INCHES, THIRD ANGLE PROJECTION.

REV	DATE	BY	CHK	DESCRIPTION	ECN	CHK	CUST	SUP
2	01-12-00	JHNUJAWA		B. REVISED GEOMETRY FOR T45 BREAKOUT	35677-06	HIW	HIW	
1	12-21-98	DW	HIW	A. MATERIAL WAS ABS/PC.	35677-06	HIW	HIW	
R	10-29-97	DW	HIW	RELEASED TO PRODUCTION.	35677-06	HIW	HIW	

DRAWN BY DW	MAT'L: PVC
DATE 10-29-97	
CHECKED BY HIW	

SCALE NONE	DWG A
DRAWING NO. 35677-06	SIZE A

