

Excellent Integrated System Limited

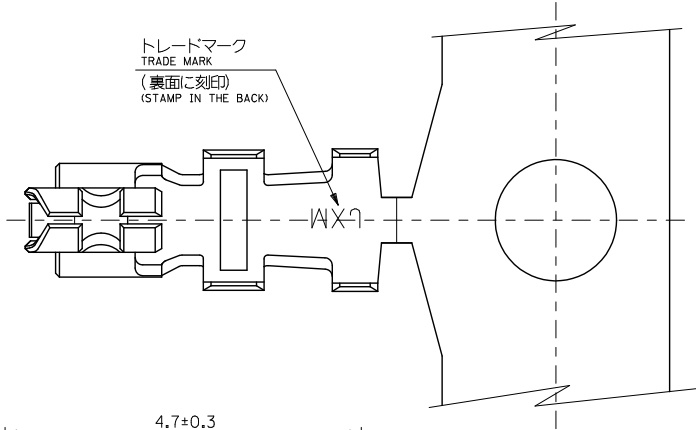
Stocking Distributor

Click to view price, real time Inventory, Delivery & Lifecycle Information:

[Molex Connector Corporation](#)
[0561618081](#)

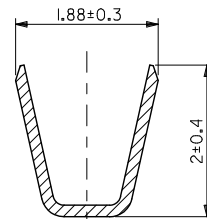
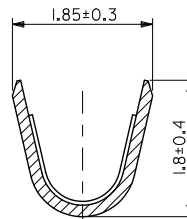
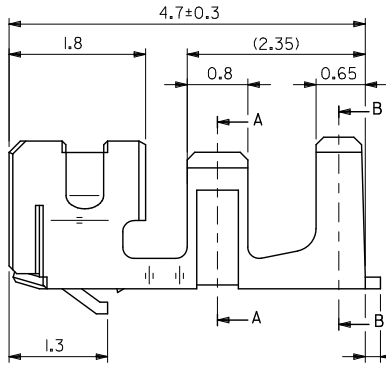
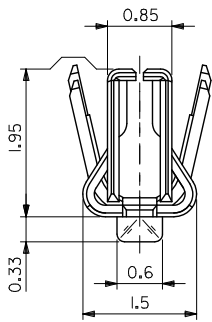
For any questions, you can email us directly:
sales@integrated-circuit.com

10 9 8 7 6 5 4 3 2 1



注記
NOTES

1. 材質：リン青銅, t=0.152
MATERIAL : PHOSPHOR BRONZE, t=0.152
2. メッキ仕様
PLATING
金メッキ: 0.1µm MIN.
GOLD : 0.1µm MIN.
ニッケルメッキ: 1.5µm MIN. (下地メッキ)
NICKEL : 1.5µm MIN. (UNDER PLATING)
3. 適用ハウジング: 54992-09**, 502351-**00
APPLICABLE HOUSING : 54992-09**, 502351-**00
4. ELV 及び RoHS 適合品
ELV AND RoHS COMPLIANT.



バラ状 LOOSE	56161-8181
連続状 CHAIN	56161-8081
端子形状 FORM	オーダー番号 ORDER No.

CONNECTOR SERIES No. 56161-8*81

材料 MATERIAL	注記参照 SEE NOTES
仕上げ FINISH	注記参照 SEE NOTES
適用電線範囲 WIRE RANGE	AWG #22~#26
被服外径範囲 INSURATION RANGE	φ1.4 MAX.

REVISED IEC NO. J2011-0785 DRAWN BY DRINKWASHIO 2010/12/09 CHKD BY CHIKIDAKAKAWA 2010/12/09 APPR. BY APPR. NIKITA 2010/12/09 REV. DESCRIPTION	GENERAL TOLERANCES (UNLESS SPECIFIED)	
	10 UNDER	± 0.2
	10 OVER 30 UNDER	± 0.25
	30 OVER	± 0.3
ANGULAR ±3°		
DRAFT WHERE APPLICABLE MUST REMAIN WITHIN DIMENSIONS		

DIMENSION STYLE MM ONLY	SCALE 20:1	DESIGN UNITS METRIC	THIRD ANGLE PROJECTION
DRAWN BY KKOBAYASHI	DATE 2001/10/05	TITLE SMC (SERVO MOTOR ENCODER CONN.) CRIMP RECEPTACLE	
CHECKED BY NMATSUURA	DATE 2001/10/05	MOLEX INCORPORATED	
APPROVED BY YOITO	DATE 2001/10/05	MATERIAL NO.	DOCUMENT NO.
SEE CHART		SD-56161-002	
THIS DRAWING CONTAINS INFORMATION THAT IS PROPRIETARY TO MOLEX INCORPORATED AND SHOULD NOT BE USED WITHOUT WRITTEN PERMISSION			

SHEET NO. 1 OF 1	
---------------------	--