

Excellent Integrated System Limited

Stocking Distributor

Click to view price, real time Inventory, Delivery & Lifecycle Information:

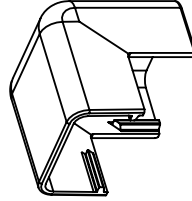
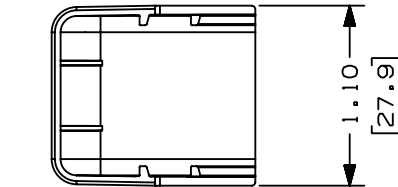
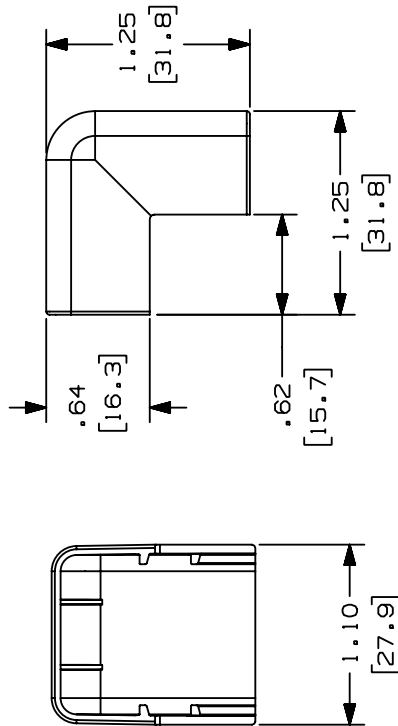
[Panduit](#)
[OCFC5EI-X](#)

For any questions, you can email us directly:
sales@integrated-circuit.com

THIS COPY IS PROVIDED ON A RESTRICTED BASIS AND IS NOT TO BE USED IN ANY WAY DETRIMENTAL TO THE INTERESTS OF PANDUIT CORP.

PANDUIT PART NO.	WEIGHT
OCFC5	1.1 LB/100 PCS (505 g/100 PCS)

- NOTES:
- SEE CURRENT CATALOG FOR ADDITIONAL PART NUMBER SUFFIXES TO INDICATE COLOR AND OR PACKAGE QUANTITY.
 - THIS PRODUCT IS INTENDED TO BE USED WITH PANDUIT TYPE LD5 AND LDP5 RACEWAY.
 - NOMINAL WALL THICKNESSES;
COVER = .055(1.4)
 - THIS PRODUCT IS FEATURED WITH THE TIA/EIA COMPLIANT BEND RADIUS.
 - DIMENSIONS IN PARENTHESIS ARE IN METRIC.



CAD FILENAME/LAYERS		D35541BQ_LD_OCFC5_C_02.PRT						
PANDUIT		CORP., TINLEY PARK, ILLINOIS						
OUTSIDE CORNER FITTING COVER (OCFC5)		CUSTOMER DRAWING						
UNLESS OTHERWISE SPECIFIED, DIMENSIONAL TOLERANCES ARE: (.X) ± (.XXX) ±.015 (.4) (.XX) ±.03 (.8) ANGLES ±		UNLESS OTHERWISE SPECIFIED, ALL DIMENSIONS ARE GIVEN IN INCHES, THIRD ANGLE PROJECTION.						
DRAWN BY	JBA	MAT'L	NONE					
DATE	09-03-96	DRAWING NO.	35541-18					
CHECKED BY	CEF	SIZE	A					
REV	DATE	BY	CHK	DESCRIPTION	ECN	CHK	CUST	SUP
2	03-10-04	JHEP	RGRO	B. REMOVED CDS FROM NOTE 2	35541-18	RGRO	H1W	
1	05-14-99	DW	H1W	A. NOTE 2 WAS L2P5 RACEWAY, REVISED DWG TO SHOW 2D VIEWS.	35541-18	H1W	CEF	
R	09-03-96	JBA	CEF	RELEASED TO PRODUCTION	35541-18	CEF		

+

+