



## **Excellent Integrated System Limited**

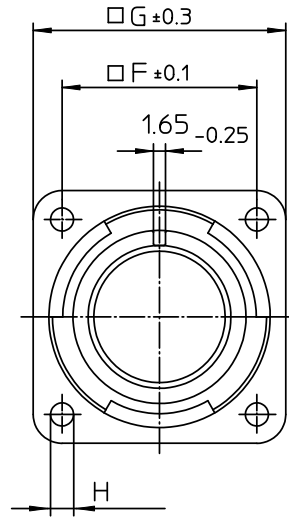
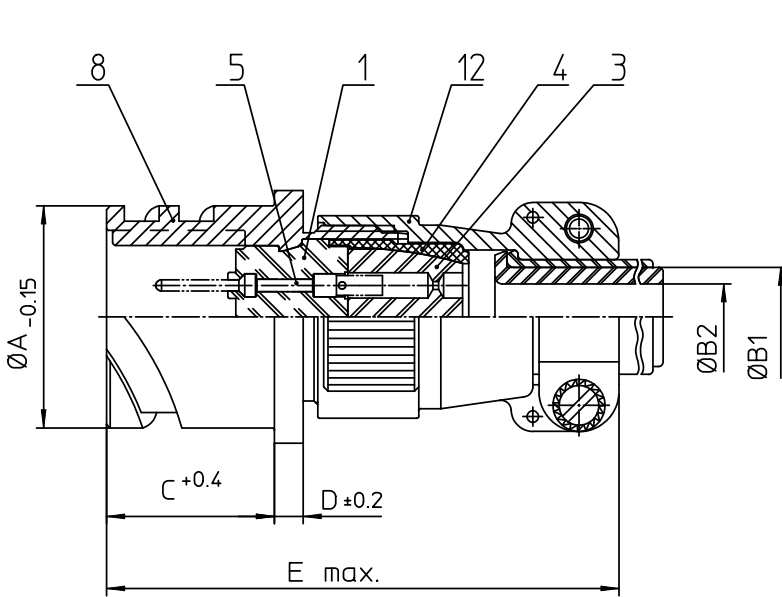
Stocking Distributor

Click to view price, real time Inventory, Delivery & Lifecycle Information:

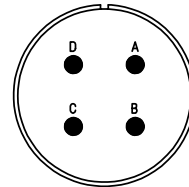
[ITT Cannon, LLC](#)  
[CA3100E20-4PB05](#)

For any questions, you can email us directly:

[sales@integrated-circuit.com](mailto:sales@integrated-circuit.com)



NO.	MASSE / DIMENSION
A	34.2
B1	15.9
B2	-
C	23.05
D	4
E	72
F	29.4
G	38
H	3.2



NO.	BESCHREIBUNG / DESCRIPTION
1	ISOLIERKÖRPER STIFT / INSULATOR PIN
3	DICHTKÖRPER / GROMMET
4	ENDRING / ENDRING
5	KONTAKTSTIFT/ CONTACT PIN
8	DOSENGEHÄUSE / SHELL
12	ENDGEHÄUSE / ENDBELL

Note: Due to an automatic nomenclature system, numbers generated may not be sequential.  
Specification and Dimensions subject to change  
Drawings illustrate normal insulator positioning

Material Specification:	
Shell Material:	Aluminium alloy
Shell Plating:	Olive drab chromate over cadmium (conductive)
Insulator Material:	CR-Elastomere
Contact Material:	Copper alloy
Contact Plating:	Hard silver

all dimensions are in mm

Dimensions without tolerance indications are general tolerances in acc. with DIN7168m

drawing for  
CUSTOMER



Engineered for life  
ITT CANNON GmbH  
D-71284 Vaihingen/Enz, Germany

description CA3100E20-4P-B-05  
Box mounting receptacle (rear mount, through holes)  
Endbell with clamp and bushing  
Solder Cup / Pin / Layout: 20-4

© All rights reserved. Reproduction or issue in third in any form  
whenever is only permitted with written authorization of ITT Cannon

page 1/1  
revision 786 4. Jul 16