



## **Excellent Integrated System Limited**

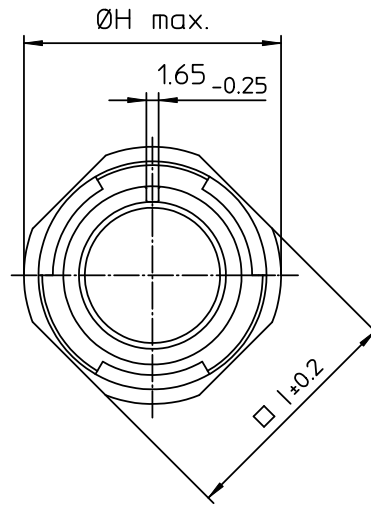
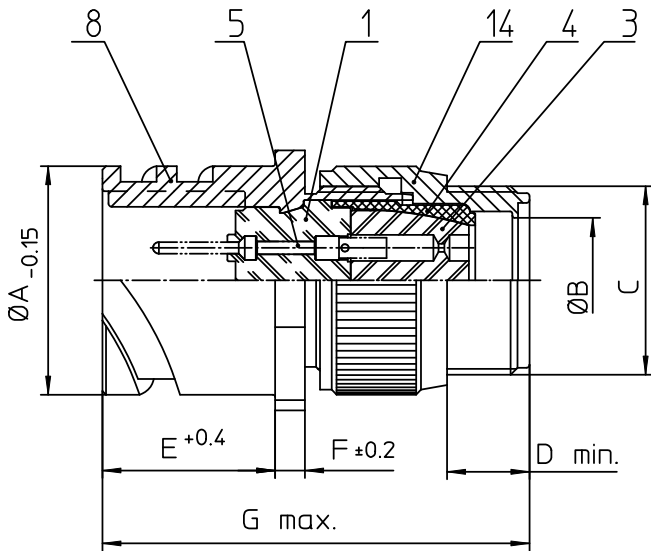
Stocking Distributor

Click to view price, real time Inventory, Delivery & Lifecycle Information:

[ITT Cannon, LLC](#)  
[CA3101F18-10PB](#)

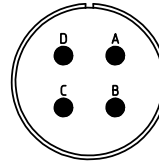
For any questions, you can email us directly:

[sales@integrated-circuit.com](mailto:sales@integrated-circuit.com)




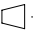
NO.	MASSE / DIMENSION
A	30.8
B	16.7
C	1-20UNEF-2A
D	9.5
E	23.05
F	4
G	59
H	34.8
I	31.7

NO.	BESCHREIBUNG / DESCRIPTION
1	ISOLIERKÖRPER STIFT / INSULATOR PIN
3	DICHTKÖRPER / GROMMET
4	ENDRING / ENDRING
5	KONTAKTSTIFT/ CONTACT PIN
8	DOSENGEHÄUSE / SHELL
14	F-ENDGEHÄUSE / F-ENDBELL



Note: Due to an automatic nomenclature system, numbers generated may not be sequential.  
 Specification and Dimensions subject to change  
 Drawings illustrate normal insulator positioning

Material Specification:	
Shell Material:	Aluminium alloy
Shell Plating:	Olive drab chromate over cadmium (conductive)
Insulator Material:	CR-Elastomere
Contact Material:	Copper alloy
Contact Plating:	Hard silver

all dimensions are in mm		drawing for	
Dimensions without tolerance indications are general tolerances in acc. with DIN7168m		CUSTOMER	
 <b>ITT</b> Engineered for life <small>ITT CANNON GERMANY                      D-73308 Winnenden Germany</small>	description CA3101F18-10P-B		
	Cable connecting plug		
	Endbell for flex tube Solder Cup / Pin / Layout: 18-10		
<small>© All rights reserved. Reproduction or issue in any form whatever is only permitted with written authorization of ITT Cannon.</small>		 page 1/1	revision 786 4. Jul 16