



Excellent Integrated System Limited

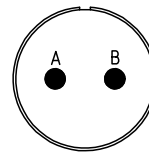
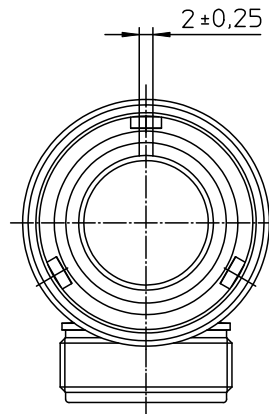
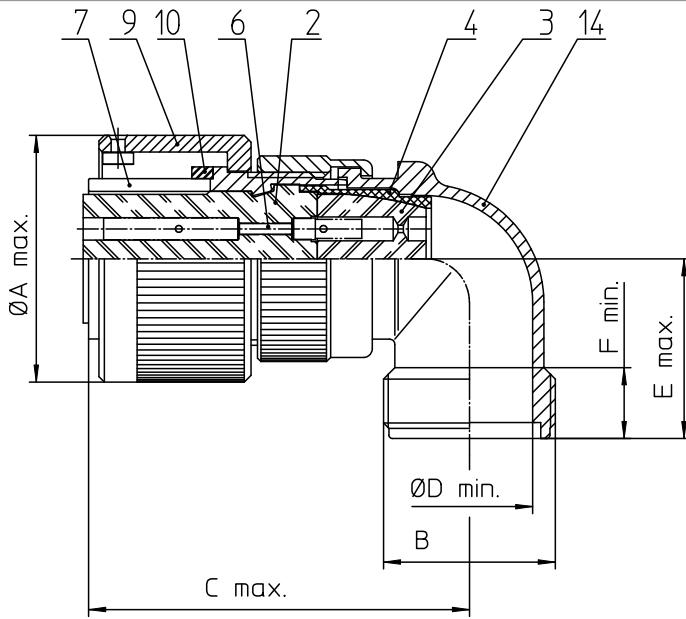
Stocking Distributor

Click to view price, real time Inventory, Delivery & Lifecycle Information:

[ITT Cannon, LLC](#)
[CA3108F14S-9SBF80A176](#)

For any questions, you can email us directly:

sales@integrated-circuit.com



NO.	MASSE / DIMENSION
A	29.2
B	3/4-20UNEF-2A
C	47
D	12.2
E	24
F	9.4

NO.	BESCHREIBUNG / DESCRIPTION
2	ISOLIERKÖRPER BUCHSE / INSULATOR SOCKET
3	DICHTKÖRPER / GROMMET
4	ENDRING / ENDRING
6	KONTAKTBUCHSE / CONTACT SOCKET
7	ZYLINDERGHÄUSE / BARREL
9	ÜBERWURFMUTTER / COUPLING NUT
10	DICHTRING FRONT / FRONT SEALING RING
14	F-ENDGEHÄUSE / F-ENDBELL

Note: Due to an automatic nomenclature system, numbers generated may not be sequential.

Specification and Dimensions subject to change
Drawings illustrate normal insulator positioning

Material Specification:

Shell Material: Aluminum alloy
Shell Plating: Olive drab chromate over cadmium (conductive)
Insulator Material: CR-Elastomere
Contact Material: Copper alloy
Contact Plating: Gold 0,5 µm

all dimensions are in mm
Dimensions without tolerance indications are general tolerances in acc. with DIN7180m

drawing for CUSTOMER

description CA3108F14S-9S-B-F80-A176
Plug, 90°
Endbell for flex tube
AWG Crimp / Socket / Layout: 14S-9

ITT
Engineered for life
ITT CANADA CORP.
5 - 7124 Westside Drive

© All rights reserved. Reproduction or use in any form without written authorization of ITT Cannon

page 1/1
revision 786 4. Jul 16