

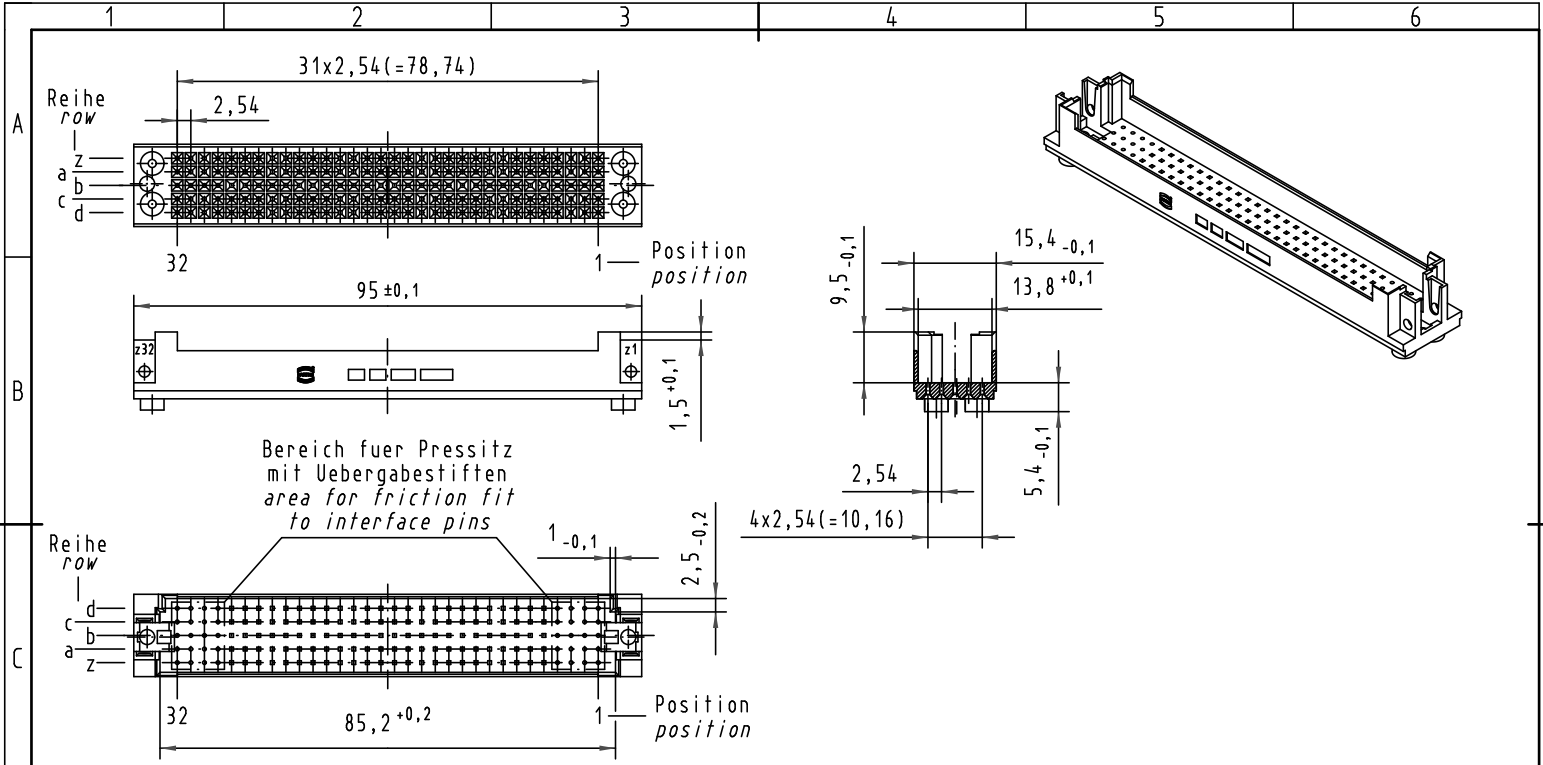
Excellent Integrated System Limited

Stocking Distributor

Click to view price, real time Inventory, Delivery & Lifecycle Information:

[Harting](#)
[0244000002](#)

For any questions, you can email us directly:
sales@integrated-circuit.com



All Dimensions in mm Original Size DIN A 4			Techn. Character. IEC 61076-4-113			Nicht tolerierte Maß/Free size tolerances				
						<i>har-bus 64 Uebergaberahmen fuer LP-Dicke 4.0±0.3</i> <i>har-bus 64 rear-shroud for PCB-thickness 4.0±0.3</i>				
			Defail.	07.07.97	HL.				Maßstab/Scale 1:1	
			Insp.	07.07.97	kfoe					
34650	31.01.08	Hage.	Stand.			TB 02 44 000 0002				
27503	16.12.99	Th	HARTING Electronics GmbH & Co. KG D-32339 ESPELKAMP						Blatt/ page	
20721									Sub.	
Mod.	Dat.	Name								