

Excellent Integrated System Limited

Stocking Distributor

Click to view price, real time Inventory, Delivery & Lifecycle Information:

[Harting](#)
[09000005013](#)

For any questions, you can email us directly:
sales@integrated-circuit.com

Alle Rechte vorbehalten/ All rights reserved

5

4

3

2

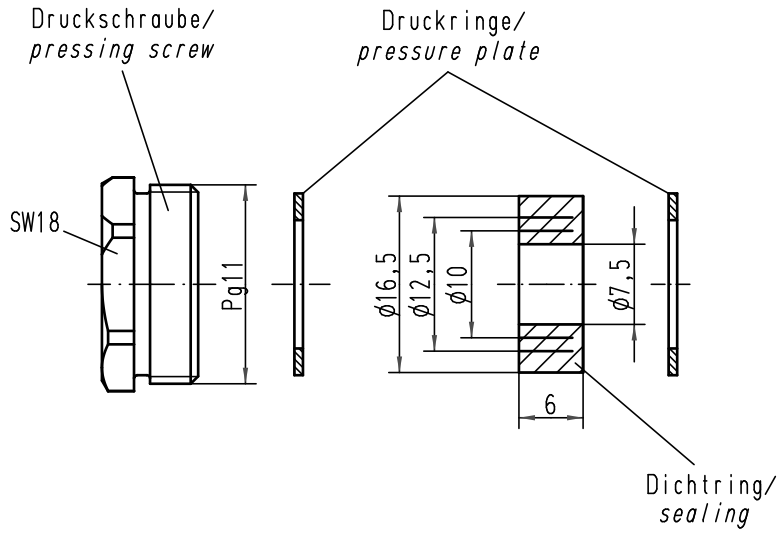
1

D



C

B

A



Kabel- ϕ /cable- ϕ : min.6,5; max.13,5

 All Dimensions in mm Original Size DIN A 4			Techn. Character.			Nicht tolerierte Maß/Free size tolerances		
			Dat. 7.12.98	Name Kö	Maßstab/Scale 2:1	Verschraubung Pg11/ cable sealing Pg11 Metall, für Standard-Gehäuse/ metal, for standard housings		
			Insp. Stand.	SDT.				
413074	31.07.07	ML						
410862	23.11.04	Loe.	HARTING Electric GmbH & Co. KG			TB 09 00 000 5013		
24863			D-32339 Espelkamp			Sub. TB 09 00 000 501.. v. 1.2.93		
Mod.	Dat.	Name				Blatt/ page		