

Excellent Integrated System Limited

Stocking Distributor

Click to view price, real time Inventory, Delivery & Lifecycle Information:

[Harting](#)
[09000005016](#)

For any questions, you can email us directly:
sales@integrated-circuit.com

Alle Rechte vorbehalten/ All rights reserved

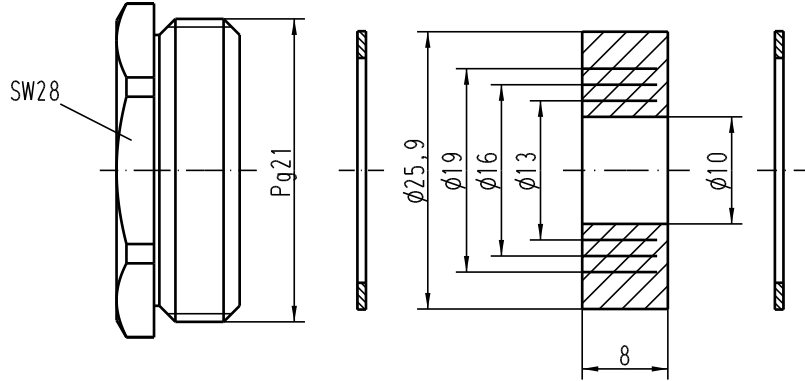
5

4



3

2

1



Kabel- ϕ / cable- ϕ : min.9; max.20

 All Dimensions in mm Original Size DIN A 4			Techn. Character.			Nicht tolerierte Masse/ Free size tolerances			
				Dat.	Name	Massestab/Scale 2:1	Verschraubung Metall/ cable sealing metal für Standard-Gehäuse; Pg21 / for standard-housings; Pg21		
			Detail.	07.12.98	Kö				
			Insp.		SDT.				
			Stand.						
410862	23.11.04	Loe.	HARTING Electric GmbH & Co. KG				TB 09 00 000 5016		Blatt/ page
24863			D-32339 Espelkamp						
Mod.	Dat.	Name					Sub. TB 09 00 000 501. v. 1.2.93		