

Excellent Integrated System Limited

Stocking Distributor

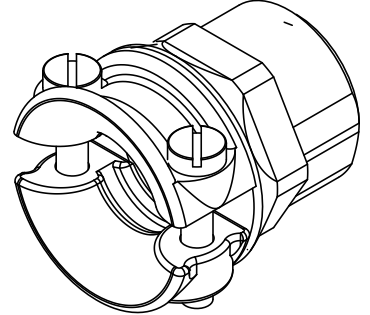
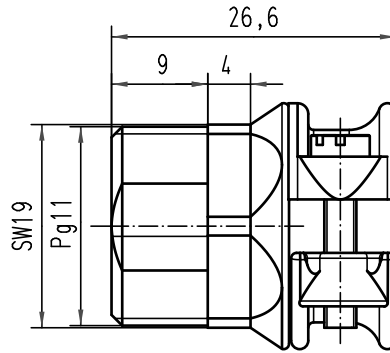
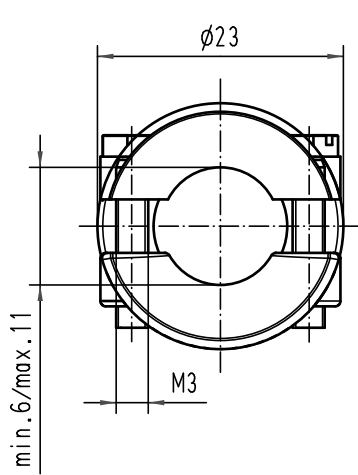
Click to view price, real time Inventory, Delivery & Lifecycle Information:

[Harting](#)



[09000005101](#)

For any questions, you can email us directly:

sales@integrated-circuit.com



Form A

 All Dimensions in mm Original Size DIN A 4			Techn. Character.			Nicht tolerierte Maß/Free size tolerances	
				Dat.	Name	Maßstab/Scale 2:1	Spezial-Kabelverschraubung Metall/ <i>special cable clamp metal</i> für Standard Gehäuse / for standard housings
			Detail.	05.01.99	KR		
			Insp.		SDT.		
			Stand.				
413153	27.08.07	Bor	HARTING Electric GmbH & Co. KG				TB 09 00 000 5101
25435			D-32339 Espelkamp				
Mod.	Dat.	Name					
						Sub. TB 09 00 000 51. Bl.1/4 v. 04.02.93	Blatt/ page