

Excellent Integrated System Limited

Stocking Distributor

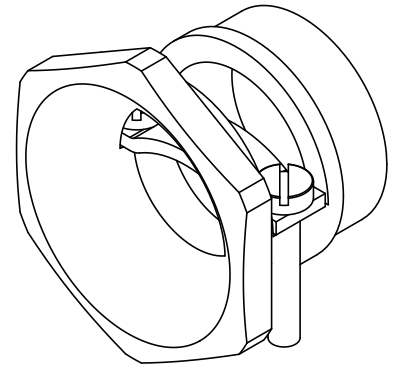
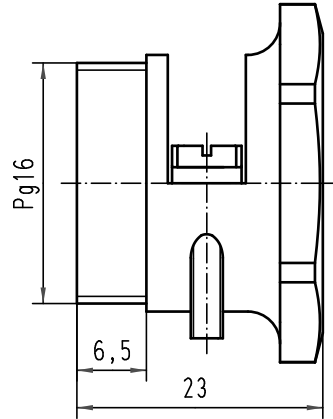
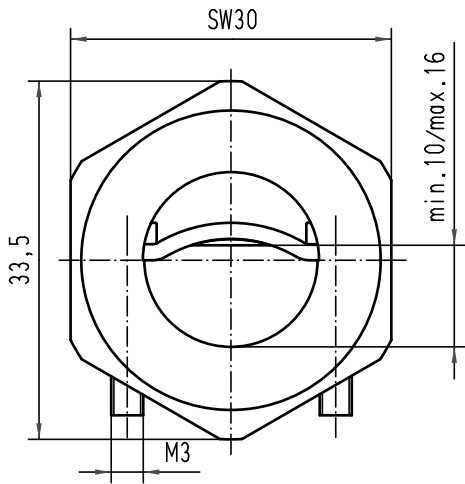
Click to view price, real time Inventory, Delivery & Lifecycle Information:

[Harting](#)


[09000005103](#)

For any questions, you can email us directly:

sales@integrated-circuit.com



Form B

 All Dimensions in mm Original Size DIN A 4			Techn. Character.			Nicht tolerierte Maß/Free size tolerances			
Mod.	Dat.	Name	Detail.	Dat.	Name	Maßstab/Scale 2:1	Spezial-Kabelverschraubung Metall/ special cable clamp metal für Standard Gehäuse / for standard housings		
413153	27.08.07	Bor	Insp.	05.01.99	KR			TB 09 00 000 5103	Blatt/ page /
25435			Stand.		SDT.				
			HARTING Electric GmbH & Co. KG D-32339 Espelkamp			Sub. TB 09 00 000 51. Bl.1/4 v. 04.02.93			

