

Excellent Integrated System Limited

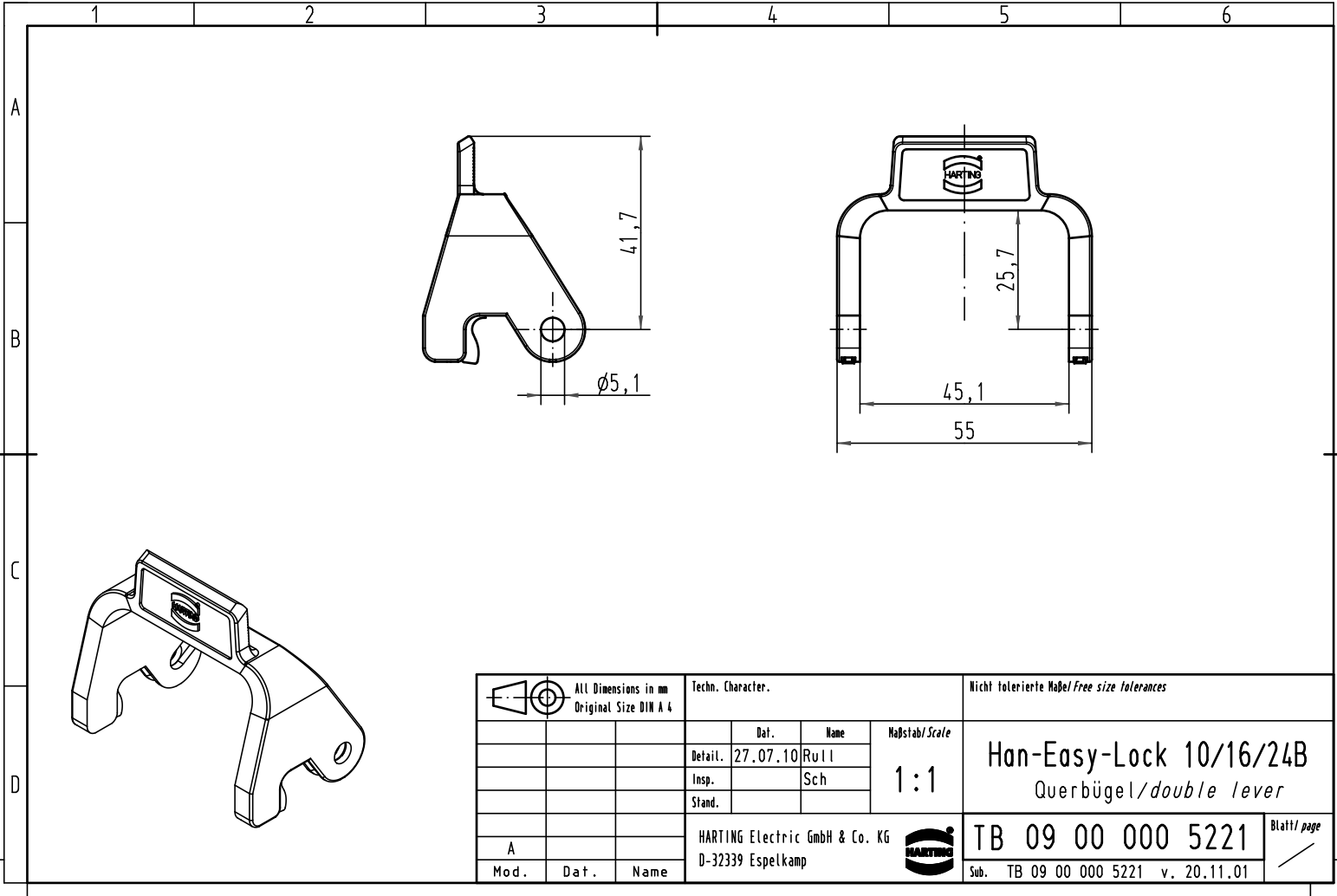
Stocking Distributor

Click to view price, real time Inventory, Delivery & Lifecycle Information:

[Harting](#)
[09000005221](#)

For any questions, you can email us directly:
sales@integrated-circuit.com

Alle Rechte vorbehalten/ All rights reserved



All Dimensions in mm Original Size DIN A 4			Techn. Character.			Nicht tolerierte Maß/Free size tolerances			
			Detail.	27.07.10	Rull	Maßstab/Scale 1:1	Han-Easy-Lock 10/16/24B Querbügel/double lever		
			Insp.		Sch				
			Stand.						
A			HARTING Electric GmbH & Co. KG				TB 09 00 000 5221		Blatt/ page
Mod.	Dat.	Name	D-32339 Espelkamp				Sub. TB 09 00 000 5221 v. 20.11.01		