

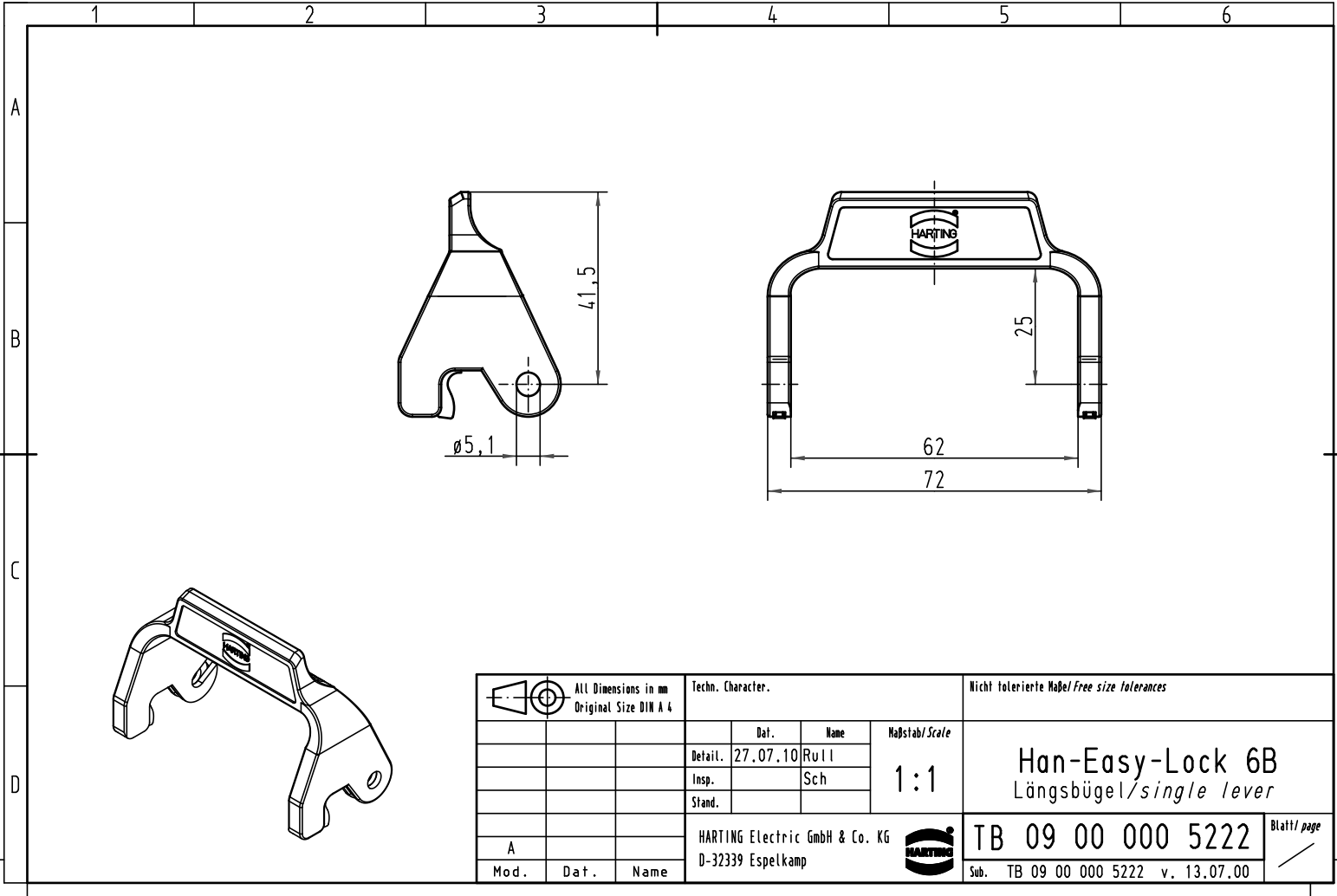
Excellent Integrated System Limited

Stocking Distributor

Click to view price, real time Inventory, Delivery & Lifecycle Information:

[Harting](#)
[09000005222](#)

For any questions, you can email us directly:
sales@integrated-circuit.com



All Dimensions in mm Original Size DIN A 4			Techn. Character.			Nicht tolerierte Maß/Free size tolerances			
			Detail.	27.07.10	Rull	1:1	Han-Easy-Lock 6B Längsbügel/ <i>single lever</i>		
			Insp.		Sch				
			Stand.						
A			HARTING Electric GmbH & Co. KG				TB 09 00 000 5222		Blatt/ page
Mod.	Dat.	Name	D-32339 Espelkamp				Sub. TB 09 00 000 5222 v. 13.07.00		/