

## Excellent Integrated System Limited

Stocking Distributor

Click to view price, real time Inventory, Delivery & Lifecycle Information:

[Harting](#)  
[09021646951](#)

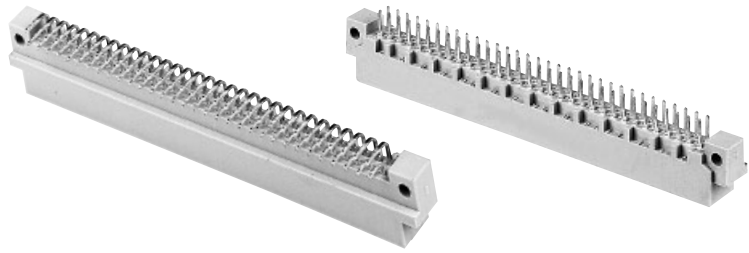
For any questions, you can email us directly:  
[sales@integrated-circuit.com](mailto:sales@integrated-circuit.com)

# DIN 41 612 · Type B



Number of contacts

# 64, 32

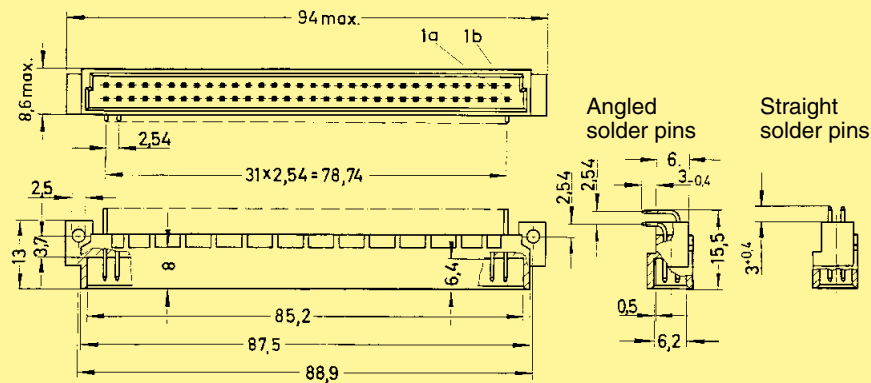


Male connectors

Identification	Number of contacts	Contact arrangement	Part No. Performance levels according to IEC 60603-2. Explanation chapter 00		
			3	2	1
Male connector with angled solder pins	64		09 02 164 7921	09 02 164 6921 09 02 164 6921 222 <sup>f)</sup> 09 02 364 6921 <sup>b)</sup> 09 02 664 6921 <sup>c)</sup>	09 02 164 2921
	32		09 02 132 7921	09 02 132 6921 09 02 632 6921 <sup>c)</sup>	09 02 132 2921
	32		09 02 132 7931	09 02 132 6931 09 02 332 6931 <sup>b)</sup>	09 02 132 2931
	62 + 2 <sup>▲</sup>			09 02 164 6951	09 02 164 2951
	SMC 64		09 02 164 7919 <sup>d)</sup>	09 02 164 6919 <sup>d)</sup>	
Male connector with straight solder pins	64		09 02 164 7922	09 02 164 6922	09 02 164 2922
	32		09 02 132 7922	09 02 132 6922	
	32			09 02 132 6932	
	62 + 2 <sup>▲</sup>			09 02 164 6952	09 02 164 2952
	SMC 64			09 02 164 6920 <sup>d)</sup>	

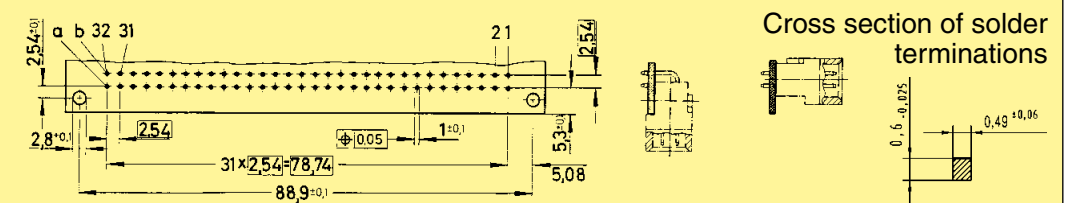
DIN Signal up to 2 A

## Dimensions



## Board drillings

Mounting side



Cross area (A) of contacts row a, b:  
A = 0.25 - 0.33 mm<sup>2</sup>  
Dimensions in mm