

Excellent Integrated System Limited

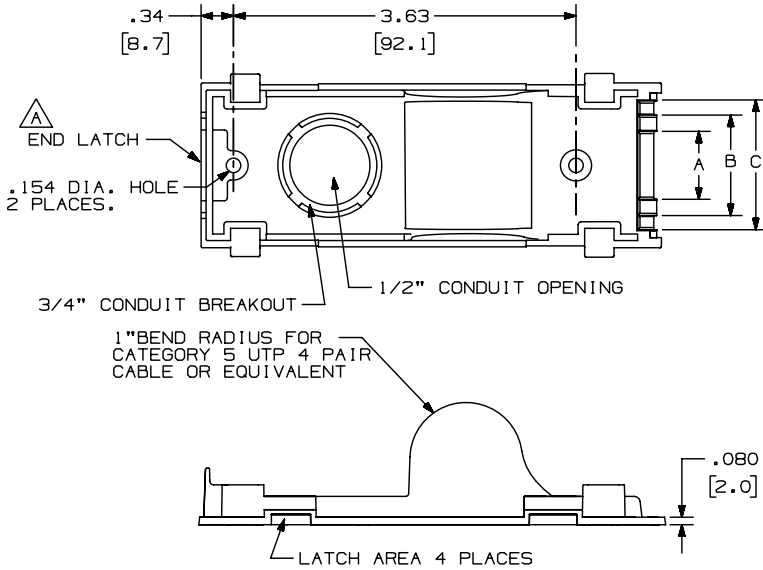
Stocking Distributor

Click to view price, real time Inventory, Delivery & Lifecycle Information:

[Panduit](#)
[RAEFXIW-X](#)

For any questions, you can email us directly:
sales@integrated-circuit.com

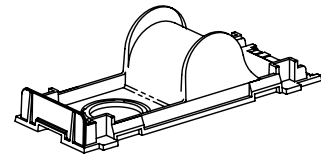
THIS COPY IS PROVIDED ON A RESTRICTED BASIS AND IS NOT TO BE USED IN ANY WAY DETRIMENTAL TO THE INTERESTS OF PANDUIT CORP.



PANDUIT PART NO.		WEIGHT	
C	RAEFX	BASE	1.65 LB/10 PCS (745.9 g/10 PCS)
		COVER	

NOTES:
 1. SEE CURRENT CATALOG FOR ADDITIONAL PART NUMBER SUFFIXES TO INDICATE COLOR AND OR PACKAGE QUANTITY.

RACEWAY BREAKOUT	USED WITH PAN-WAY RACEWAY	ADAPTERS
A	LD3, LDP3, LDS3	CA3
A	PD3	CAP3
B	LD5, LDP5, LDS5	CA5
B	PD6	CAP6
C	LD10, LDP10	N/A



CAD FILENAME/LAYERS D35071AA_RAEFBASE_C_03.PRT

PANDUIT CORP. TINLEY PARK, ILLINOIS

RIGHT ANGLE ENTRANCE END FITTING
 BASE (RAEFX)
 CUSTOMER DRAWING

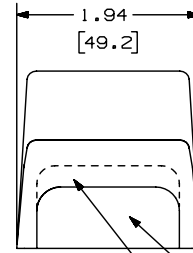
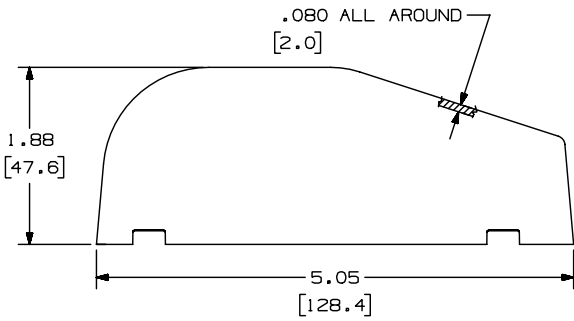
UNLESS OTHERWISE SPECIFIED, DIMENSIONAL TOLERANCES ARE:
 (.X) ± (.XXX) ±.010 (.3)
 (.XX) ±.03 (.8) ANGLES ±

UNLESS OTHERWISE SPECIFIED, ALL DIMENSIONS ARE GIVEN IN INCHES, THIRD ANGLE PROJECTION.

DRAWN BY: KRKE
 DATE: 01-12-95
 CHECKED BY: CEF
 MAT'L: ABS/PC
 SCALE: NONE
 DRAWING NO.: 35071-01
 SHT 1 OF 2
 DWG SIZE: A

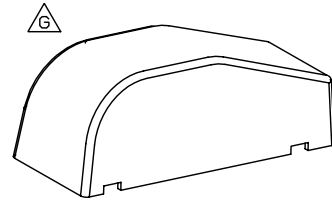
REV	DATE	BY	CHK	DESCRIPTION	ECN	CHK	CUST	SUP
4	03-18-04	JHEP	RGRO	H. REMOVED PART NUMBERS CD3, CD5 AND CD10	35071-01	RGRO	RGRO	
				G. ADDED LDS3 AND LDS5. F. REV'D MATERIAL: WAS PVC.				
3	09-23-96	JBA	CEF	D. ADDED LDS3 E. ADDED LDS5 C. REV'D P/N: WAS RAEF.	35071-01	CEF	CEF	
2	09-14-95	DW	CEF	B. REVISED MATERIAL WAS ABS.	35071-01	CEF		
1	07-10-95	DW	CEF	A. ADDED END LATCH TO PART.	35071-01	CEF		
R	01-12-95	KRKE	CEF	RELEASED TO PRODUCTION	35071-01	CEF		

THIS COPY IS PROVIDED ON A RESTRICTED BASIS AND IS NOT TO BE USED IN ANY WAY DETRIMENTAL TO THE INTERESTS OF PANDUIT CORP.



BREAKOUT FOR: LD10, CD10, LDP10

△ OPENING FOR: LD3, PD3, LD5, PD6, LDP3, LDP5, LDS3, LDS5 WITH ADAPTERS



CAD FILENAME/LAYERS D35071AA_RAEFBASE_C_03.PRT

PANDUIT CORP. TINLEY PARK, ILLINOIS

RIGHT ANGLE ENTRANCE END FITTING
BASE (RAEFX)
CUSTOMER DRAWING

UNLESS OTHERWISE SPECIFIED,
DIMENSIONAL TOLERANCES ARE:
(.X) ± (.XXX) ± .010(.3)
(.XX) ± .03 (.8) ANGLES ±

UNLESS OTHERWISE SPECIFIED,
ALL DIMENSIONS ARE GIVEN
IN INCHES, THIRD ANGLE PROJECTION.

DRAWN BY
KRKE
DATE
01-12-95
CHECKED BY
CEF

MAT'L:
△ ABS/PC
△

SCALE
NONE

DRAWING NO.
35071-01
SHT 2 OF 2

DWG
SIZE
A

REV	DATE	BY	CHK	DESCRIPTION	ECN	CHK	CUST	SUP
4	03-18-04	JHEP	RGRO	FOR REVISIONS SEE SHT 1 OF 2.	35071-01	RGRO		
3	09-23-96	JBA	CEF	FOR REVISIONS SEE SHT 1 OF 2.	35071-01	CEF		
2	09-14-95	DW	CEF	FOR REVISIONS SEE SHT 1 OF 2.	35071-01	CEF		
1	07-10-95	DW	CEF	FOR REVISIONS SEE SHT 1 OF 2.	35071-01	CEF		
R	01-12-95	KRKE	CEF	FOR REVISIONS SEE SHT 1 OF 2.	35071-01	CEF		