

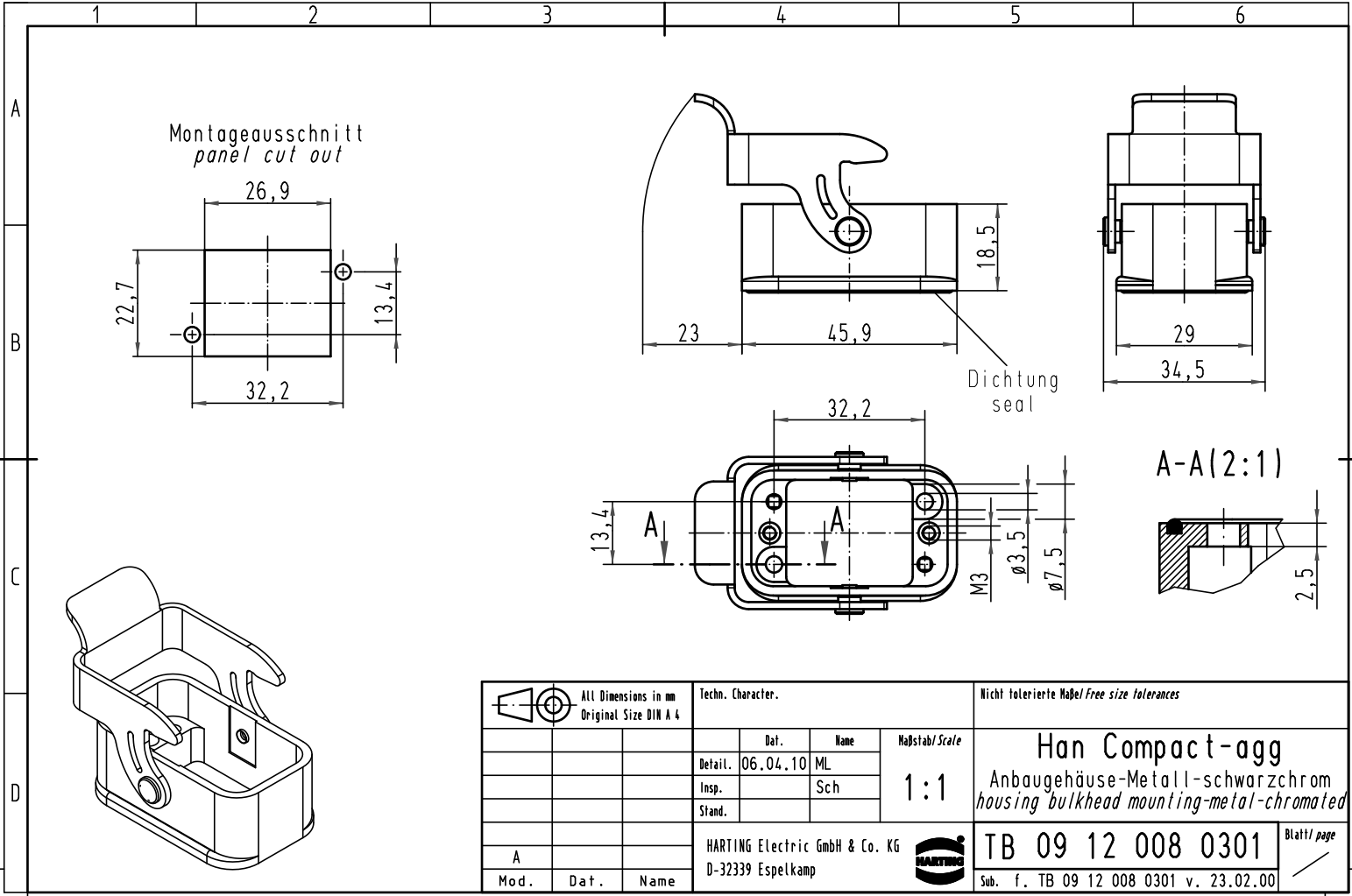
## Excellent Integrated System Limited



Stocking Distributor

Click to view price, real time Inventory, Delivery & Lifecycle Information:

[Harting](#)  
[09120080301](#)

For any questions, you can email us directly:  
[sales@integrated-circuit.com](mailto:sales@integrated-circuit.com)



 All Dimensions in mm Original Size DIN A 4			Techn. Character.			Nicht tolerierte Maß/Free size tolerances		
			Mod.	Dat.	Name	Maßstab/Scale	<b>Han Compact-agg</b> Anbaugehäuse-Metall-schwarzchrom housing bulkhead mounting-metal-chromated	
			1:1					
A Mod.    Dat.    Name			HARTING Electric GmbH & Co. KG D-32339 Espelkamp			<b>TB 09 12 008 0301</b> Sub. f. TB 09 12 008 0301 v. 23.02.00		
						Blatt/ page /		