

Excellent Integrated System Limited

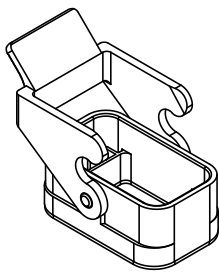
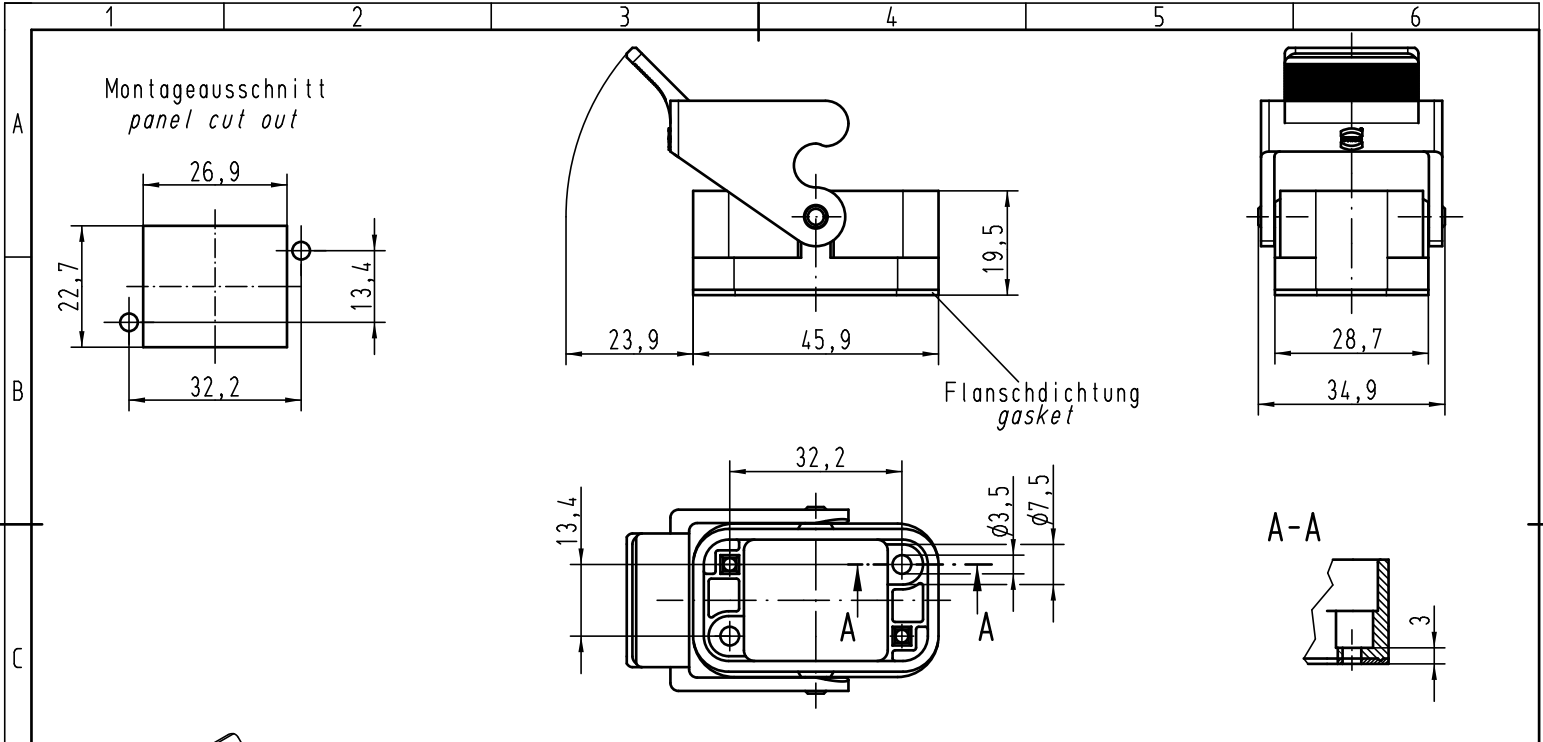
Stocking Distributor

Click to view price, real time Inventory, Delivery & Lifecycle Information:

[Harting](#)
[09120080327](#)

For any questions, you can email us directly:
sales@integrated-circuit.com

Alle Rechte vorbehalten/ All rights reserved



All Dimensions in mm Original Size DIN A 4			Techn. Character.			Nicht tolerierte Maß/Free size tolerances			
						Han Compact-agg Anbaugeschäube-Kunststoff-schwarz housing bulkhead mounting thermoplastic-black			
			Detail.	06.04.10	ML				Maßstab/Scale 1:1
			Insp.		Sch				
			Stand.						
A			HARTING Electric GmbH & Co. KG D-32339 Espelkamp					TB 09 12 008 0327 Sub. f. TB 09 12 008 0327 v. 24.10.97	Blatt/ page /