

## Excellent Integrated System Limited

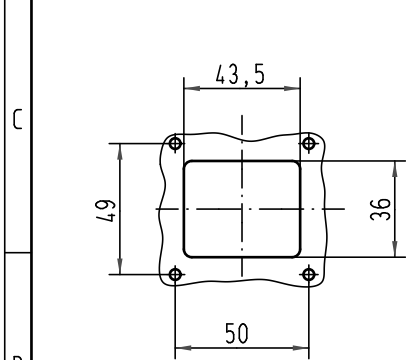
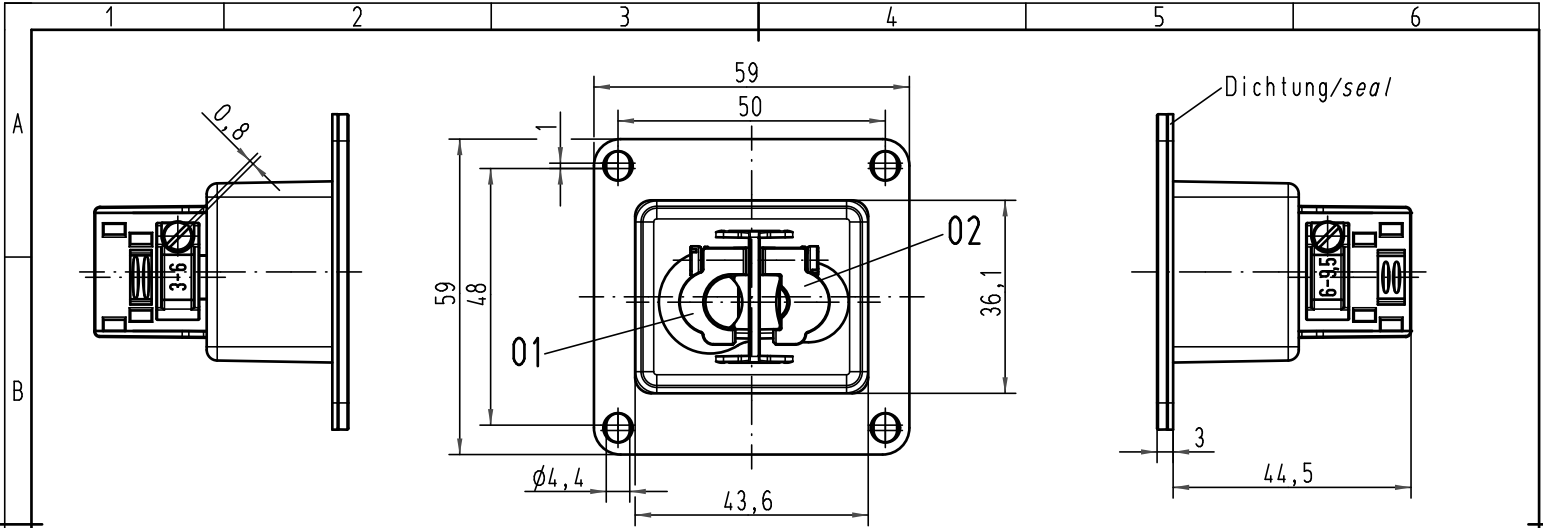
Stocking Distributor

Click to view price, real time Inventory, Delivery & Lifecycle Information:

[Harting](#)  
[09140009928](#)

For any questions, you can email us directly:  
[sales@integrated-circuit.com](mailto:sales@integrated-circuit.com)

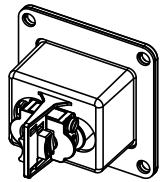
Alle Rechte vorbehalten/ All rights reserved



Montageausschnitt/  
panel cut out

lose beigelegt/separately enclosed :

- 2 x Pos.01 Kabelverschraubung, Klemmbereich 6-9.5 mm
- 1 x Pos.02 Kabelverschraubung, Klemmbereich 3-6 mm
- 2 x Pos.01 cable clamp, clamping range 6-9.5 mm
- 1 x Pos.02 cable clamp, clamping range 3-6 mm



All Dimensions in mm Original Size DIN A 4			Techn. Character.			Nicht tolerierte Maß/Free size tolerances	
			Detail.	Dat.	Name	Maßstab/Scale <b>1:1</b>	<b>Han Modular Twin</b> Wanddurchführung panel feed through
			Insp.		Tie		
			Stand.				
A			HARTING Electric GmbH & Co. KG				<b>TB 09 14 000 9928</b>
Mod.	Dat.	Name	D-32339 Espelkamp				