

Excellent Integrated System Limited

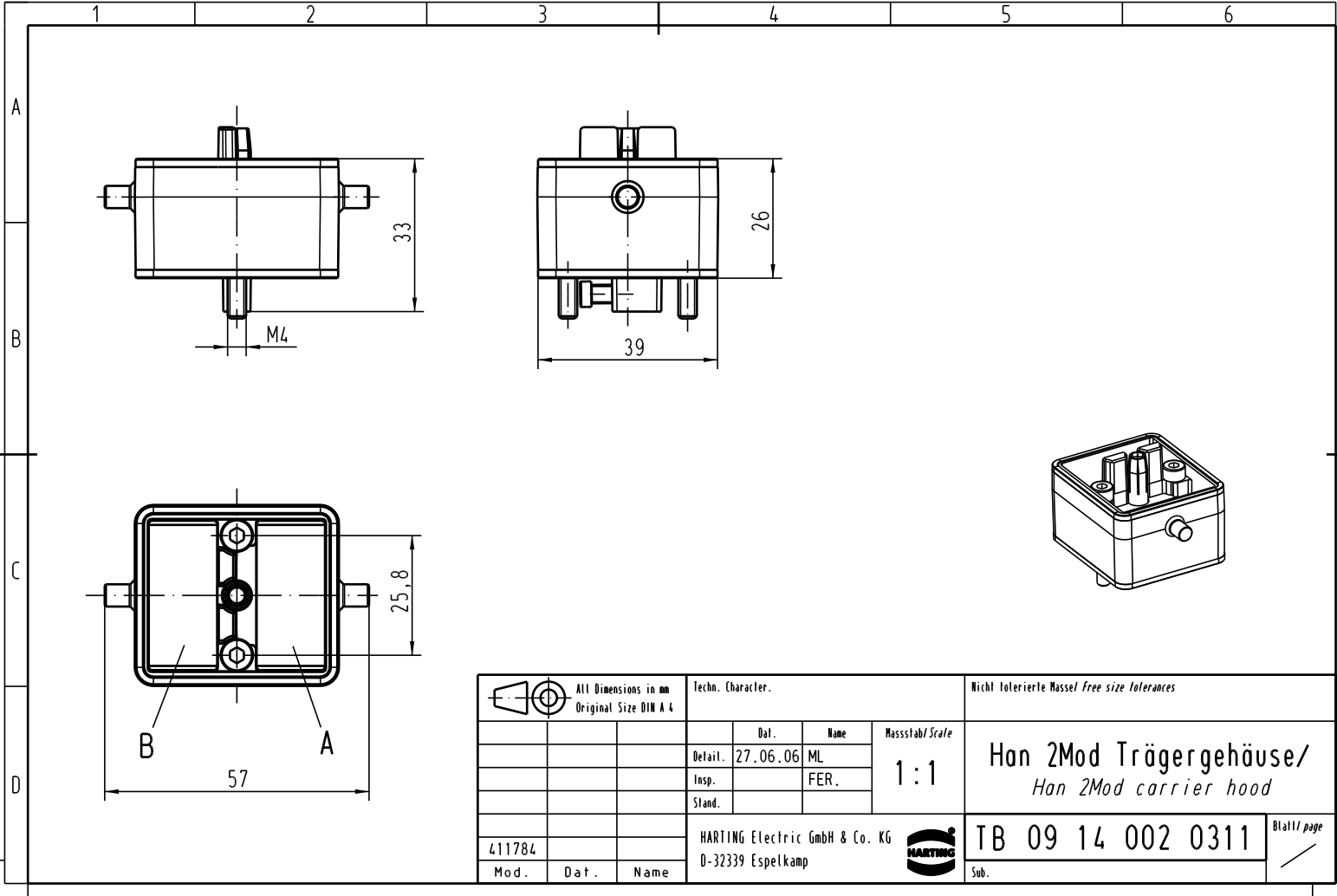
Stocking Distributor

Click to view price, real time Inventory, Delivery & Lifecycle Information:

[Harting](#)
[09140020311](#)

For any questions, you can email us directly:
sales@integrated-circuit.com

Alle Rechte vorbehalten/ All rights reserved



All Dimensions in mm Original Size DIN A 4			Techn. Character.			Nicht tolerierte Masse free size tolerances			
			Dat.	Name	Massestab/Scale 1:1	Han 2Mod Trägergehäuse/ Han 2Mod carrier hood			
			Detail.	27.06.06					ML
			Insp.						FER.
			Stand.						
411784			HARTING Electric GmbH & Co. KG				TB 09 14 002 0311		Blatt/ page /
Mod.	Dat.	Name	D-32339 Espelkamp						