

## Excellent Integrated System Limited

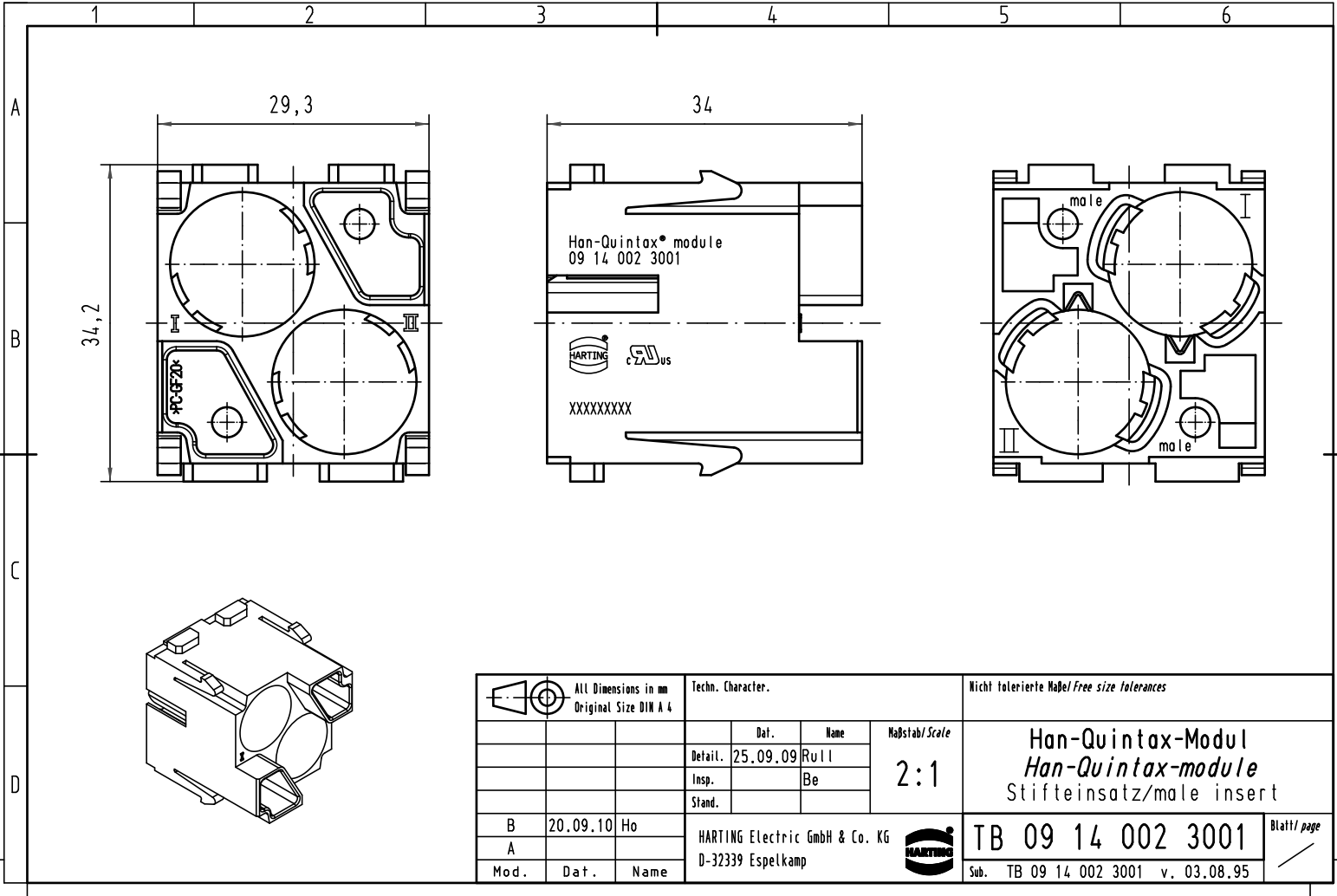
Stocking Distributor


Click to view price, real time Inventory, Delivery & Lifecycle Information:

[Harting](#)  
[09140023001](#)

For any questions, you can email us directly:  
[sales@integrated-circuit.com](mailto:sales@integrated-circuit.com)

Alle Rechte vorbehalten/ All rights reserved



All Dimensions in mm Original Size DIN A 4			Techn. Character.			Nicht tolerierte Maß/Free size tolerances	
						Maßstab/Scale <b>2:1</b>	<b>Han-Quintax-Modul</b> <i>Han-Quintax-module</i> Stifteinsatz/male insert
			Detail.	25.09.09	Rull		
			Insp.		Be		
			Stand.				
B	20.09.10	Ho	HARTING Electric GmbH & Co. KG				<b>TB 09 14 002 3001</b>
A			D-32339 Espelkamp				
Mod.	Dat.	Name					Blatt/ page Sub. TB 09 14 002 3001 v. 03.08.95