

Excellent Integrated System Limited

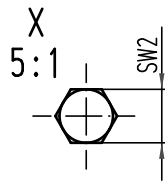
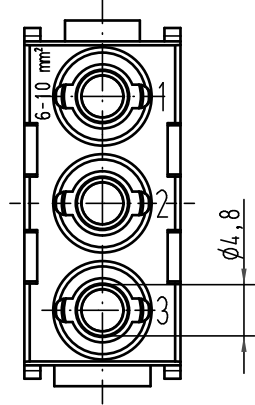
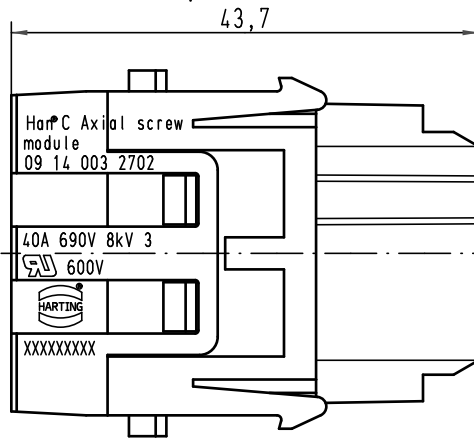
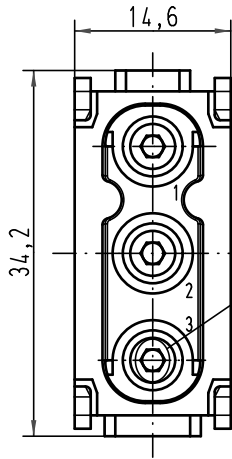
Stocking Distributor

Click to view price, real time Inventory, Delivery & Lifecycle Information:

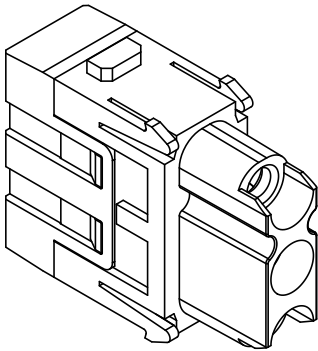
[Harting](#)
[09140032702](#)

For any questions, you can email us directly:
sales@integrated-circuit.com

Alle Rechte vorbehalten/ All rights reserved



für Litze 6 - 10mm², AWG 10 - 8, feindrähtig
for stranded wire 6 - 10mm², AWG 10 - 8, fine wire



All Dimensions in mm Original Size DIN A 4			Techn. Character.			Nicht tolerierte Maß/Free size tolerances	
						2:1	Han C Axial screw module Buchseneinsatz/female insert
			Detail.	10.10.08	Rull		
			Insp.		Be		
			Stand.				
A			HARTING Electric GmbH & Co. KG D-32339 Espelkamp				TB 09 14 003 2702
Mod.	Dat.	Name					

Blatt/ page