

Excellent Integrated System Limited

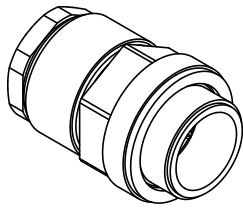
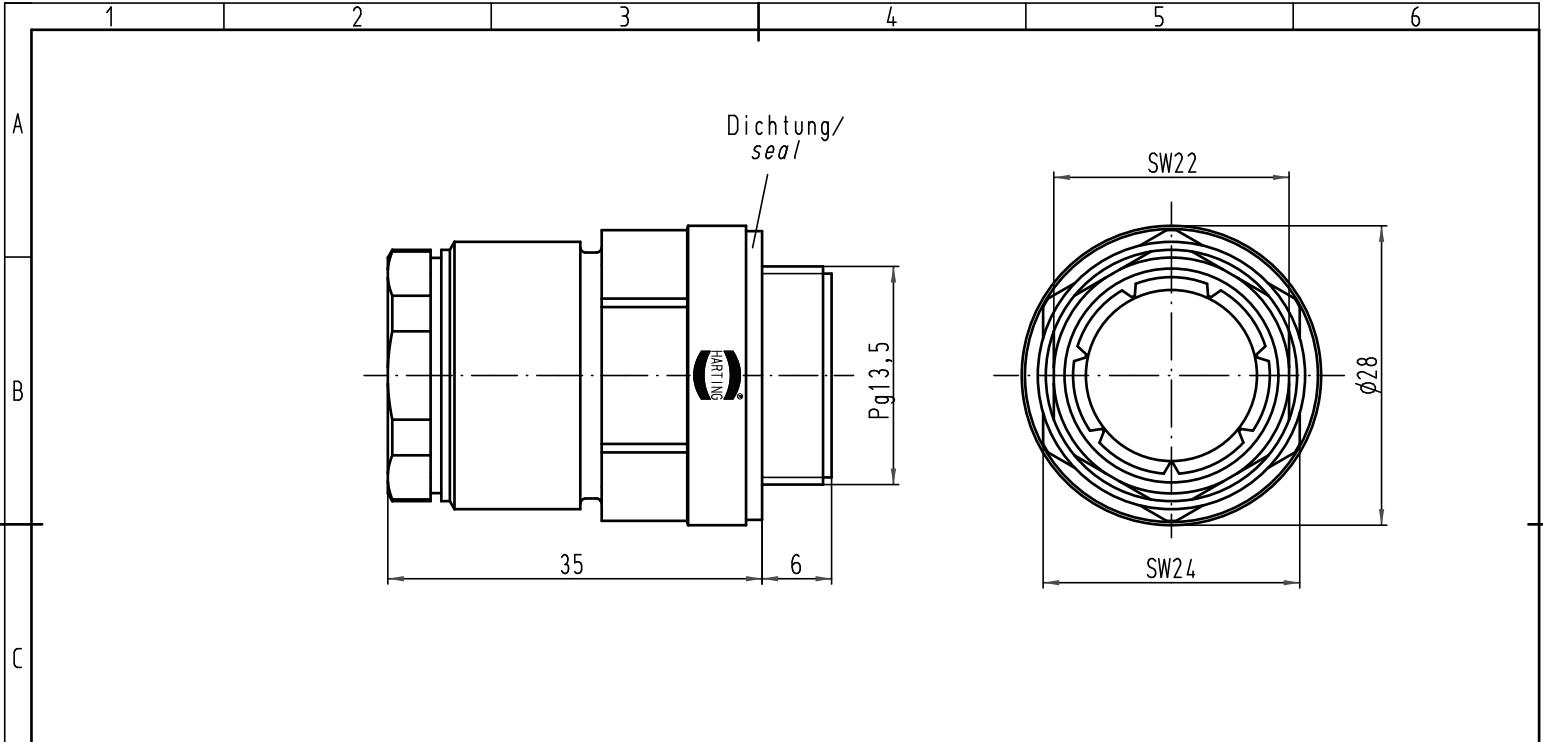
Stocking Distributor

Click to view price, real time Inventory, Delivery & Lifecycle Information:

[Harting](#)
[09150000101](#)

For any questions, you can email us directly:
sales@integrated-circuit.com

Alle Rechte vorbehalten/ All rights reserved



All Dimensions in mm Original Size DIN A 4			Techn. Character.			Nicht tolerierte Maß/Free size tolerances		
			Detail.	22.02.93	PENNER	Maßstab/Scale 2:1	R 15-eg Einschraubgehäuse/ housing screw mounting	
			Insp.		HERB.			
			Stand.					
413155	27.08.07	Ho	HARTING Electric GmbH & Co. KG				TB 09 15 000 0101	
25592	22.03.99	PL	D-32339 Espelkamp					
Mod.	Dat.	Name					Sub. TB 09 15 000 0101 v. 09.12.87	

Blatt/ page