

Excellent Integrated System Limited

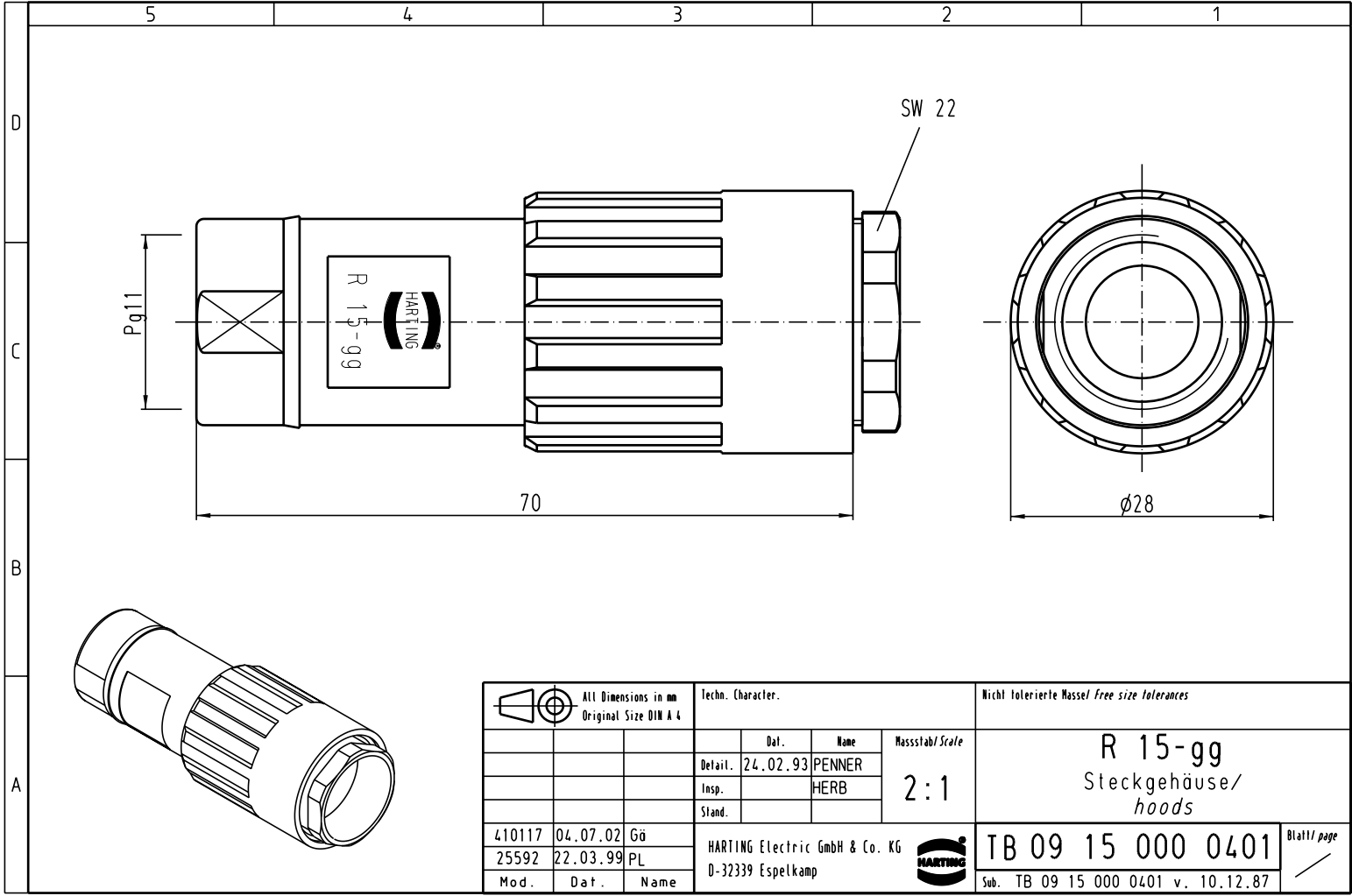
Stocking Distributor

Click to view price, real time Inventory, Delivery & Lifecycle Information:

[Harting](#)
[09150000401](#)

For any questions, you can email us directly:
sales@integrated-circuit.com

Alle Rechte vorbehalten/ All rights reserved



All Dimensions in mm Original Size DIN A 4			Techn. Character.			Nicht tolerierte Masse/ free size tolerances		
			Dat.	Name	Masstab/Scale	R 15-gg Steckgehäuse/ hoods		
			Detail.	24.02.93 PENNER	2:1			
			Insp.	HERB				
			Stand.					
410117	04.07.02	Gö	HARTING Electric GmbH & Co. KG D-32339 Espelkamp			TB 09 15 000 0401 Sub: TB 09 15 000 0401 v. 10.12.87		
25592	22.03.99	PL						
Mod.	Dat.	Name				Blatt/ page /		