

Excellent Integrated System Limited

Stocking Distributor

Click to view price, real time Inventory, Delivery & Lifecycle Information:

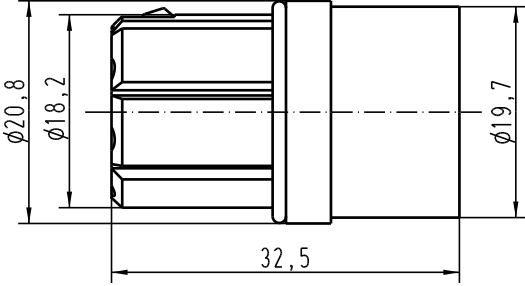
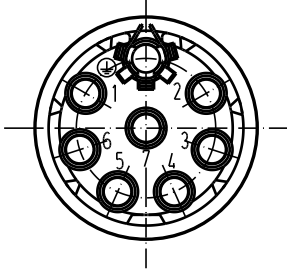
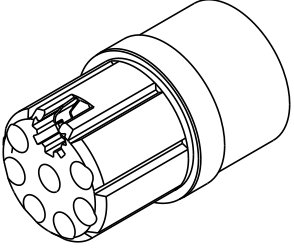
[Harting](#)

[09150073021](#)

For any questions, you can email us directly:

sales@integrated-circuit.com

Alle Rechte vorbehalten/ All rights reserved

5	4	3	2	1																																																												
																																																																
	<table border="1" style="width:100%; border-collapse: collapse;"> <tr> <td style="text-align: center;"></td> <td colspan="2">All Dimensions in mm Original Size DIN A 4</td> <td colspan="3">Techn. Character.</td> <td colspan="3">Nicht tolerierte Masstab free size tolerances</td> </tr> <tr> <td></td> <td></td> <td></td> <td></td> <td>Dat.</td> <td>Name</td> <td rowspan="3" style="text-align: center; vertical-align: middle;">Masstab/Scale 2:1</td> <td colspan="3" rowspan="3" style="text-align: center; vertical-align: middle;">R15-7-M-s Stifteinsatz/ male inserts</td> </tr> <tr> <td></td> <td></td> <td></td> <td>Detail.</td> <td>25.02.93</td> <td>PENNER</td> </tr> <tr> <td></td> <td></td> <td></td> <td>Insp.</td> <td></td> <td>HERB</td> </tr> <tr> <td></td> <td></td> <td></td> <td>Stand.</td> <td></td> <td></td> <td></td> <td></td> <td></td> <td></td> </tr> <tr> <td style="text-align: center;">410609</td> <td style="text-align: center;">15.07.03</td> <td style="text-align: center;">DY</td> <td colspan="3" style="text-align: center;">HARTING Electric GmbH & Co. KG D-32339 Espelkamp</td> <td style="text-align: center;"></td> <td colspan="2" style="text-align: center; font-size: 1.2em;">TB 09 15 007 3021</td> <td style="text-align: center; font-size: 0.8em;">Blatt/ page</td> </tr> <tr> <td style="text-align: center;">Mod.</td> <td style="text-align: center;">Dat.</td> <td style="text-align: center;">Name</td> <td colspan="3"></td> <td></td> <td colspan="2" style="text-align: center; font-size: 0.8em;">Sub. TB 09 15 007 3021 v. 3.3.87</td> <td style="text-align: center;">/</td> </tr> </table>			All Dimensions in mm Original Size DIN A 4		Techn. Character.			Nicht tolerierte Masstab free size tolerances							Dat.	Name	Masstab/Scale 2:1	R15-7-M-s Stifteinsatz/ male inserts						Detail.	25.02.93	PENNER				Insp.		HERB				Stand.							410609	15.07.03	DY	HARTING Electric GmbH & Co. KG D-32339 Espelkamp				TB 09 15 007 3021		Blatt/ page	Mod.	Dat.	Name					Sub. TB 09 15 007 3021 v. 3.3.87		/	
	All Dimensions in mm Original Size DIN A 4		Techn. Character.			Nicht tolerierte Masstab free size tolerances																																																										
				Dat.	Name	Masstab/Scale 2:1	R15-7-M-s Stifteinsatz/ male inserts																																																									
			Detail.	25.02.93	PENNER																																																											
			Insp.		HERB																																																											
			Stand.																																																													
410609	15.07.03	DY	HARTING Electric GmbH & Co. KG D-32339 Espelkamp				TB 09 15 007 3021		Blatt/ page																																																							
Mod.	Dat.	Name					Sub. TB 09 15 007 3021 v. 3.3.87		/																																																							