

Excellent Integrated System Limited

Stocking Distributor

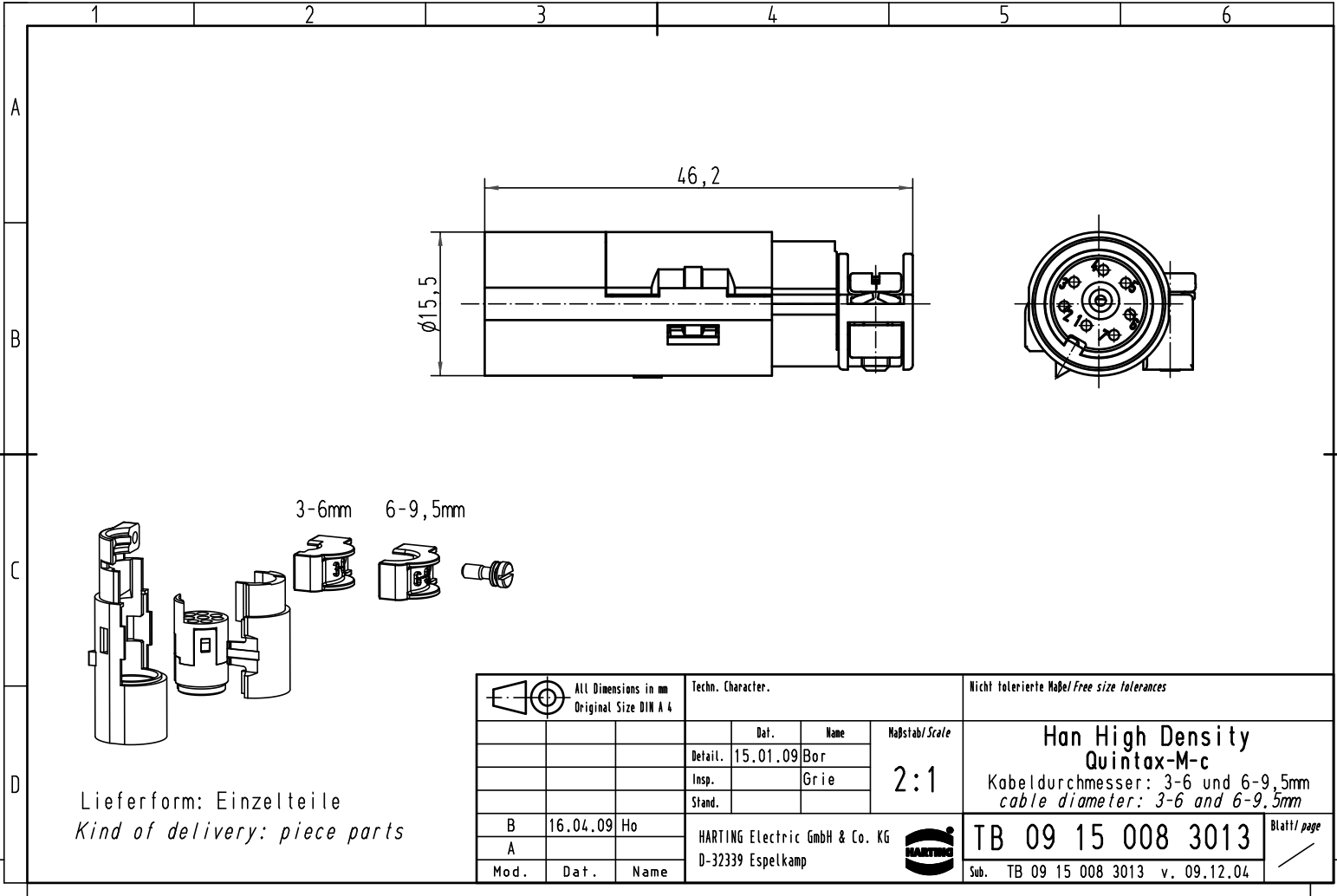
Click to view price, real time Inventory, Delivery & Lifecycle Information:

[Harting](#)

[09150083013](#)

For any questions, you can email us directly:

sales@integrated-circuit.com



Lieferform: Einzelteile
Kind of delivery: piece parts

All Dimensions in mm Original Size DIN A 4			Techn. Character.			Nicht tolerierte Maß/Free size tolerances		
			Detail.	15.01.09	Bor	Maßstab/Scale 2:1	Han High Density Quintax-M-c Kabeldurchmesser: 3-6 und 6-9,5mm cable diameter: 3-6 and 6-9,5mm	
			Insp.		Grie			
			Stand.					
B	16.04.09	Ho	HARTING Electric GmbH & Co. KG				TB 09 15 008 3013	
A			D-32339 Espelkamp					
Mod.	Dat.	Name					Sub. TB 09 15 008 3013 v. 09.12.04	

Blatt/ page